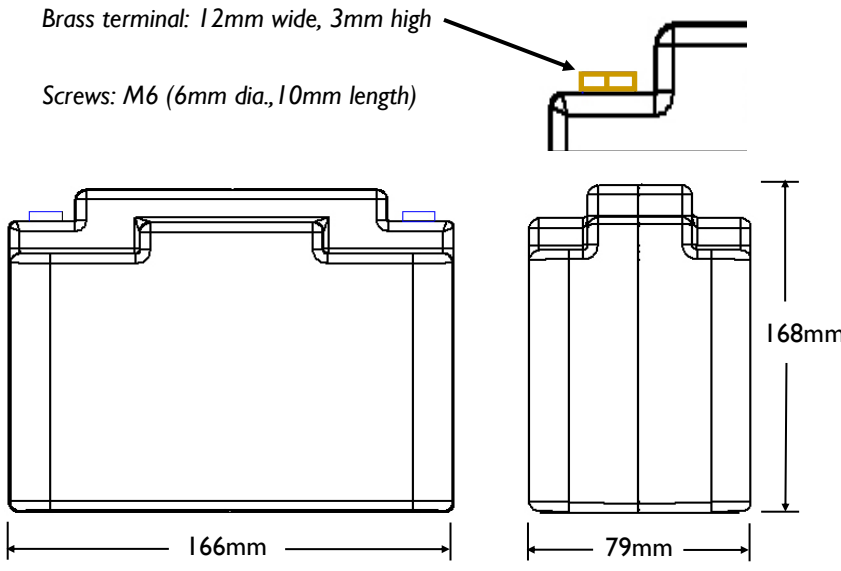


ETX Series Lithium Batteries ETX900-VNT

DIMENSIONS



The ETX900-VNT designed for in cabin installations! This battery is based on the ETX900 design with the same cranking, capacity and electronic protections (BMS) but also has a *thermal runaway containment and venting system*. It is **5.4 pounds** and can be used in an aircraft with an 80 amp or less output alternator and 550ci or smaller engine. The ETX900-VNT meets all of the DO-347 lithium battery use in aircraft testing requirements. This is not a TSO part number.

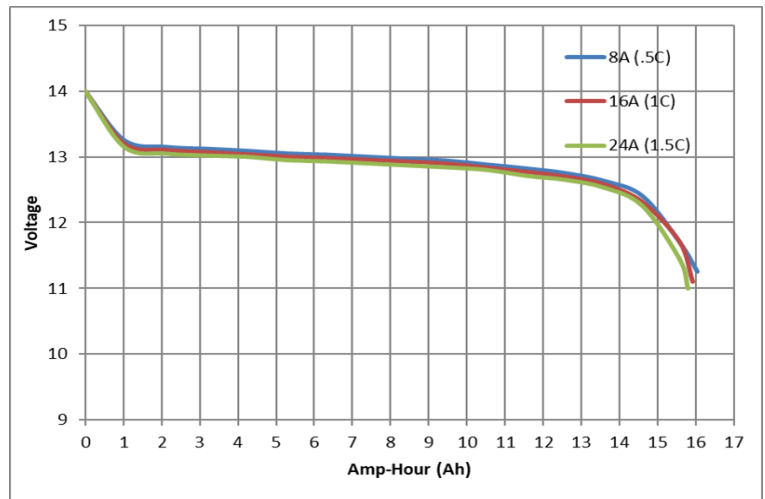


SPECIFICATIONS

Specifications	
Voltage	13.2V
Capacity	16Ah (See charts)
Capacity vs Temperature	25 °C = 100% 0°C = 92% -30°C = 80%
Self-Discharge Rate	< 3% / month @ 25 °C
Pulse Crank Amps (PCA)	840A (3 sec @ 25 °C, voltage >9V)
Cold Crank Amps (CCA)	400A (modified SAE test, 3 sec @ 0°F, volts >7.2V)
Continuous Discharge Amps	150A
Standard Charge Voltage	13.9 - 14.6 V
Maximum Charge Voltage	15V
Recommended Charge Amps	5 - 20A
Max Charge Amps	80A (from vehicle charging system)
Life (Charge cycles, 80% depth of discharge)	4000 cycles @ 1C discharge rate, 25°C 2000 cycles @ 10C discharge rate, 25°C
Life (Years)	Up to 8 Years
Weight	5.4 lb. (2.4Kg)
Dimensions	6.5 in (L) x 3.1 in (W) x 6.6 in (H) 166mm(L) x 79mm (W) x 168mm (H)
Environmental Rating (resistance to water intrusion)	IP 66 (wash down with a high pressure washer)
Operating Temperature	-30 °C to +60 °C
Storage Temperature	-40 °C to +70 °C

Discharge Characteristics

Discharge Ah (multiple discharge rates)



Discharge Minutes (multiple discharge rates)

