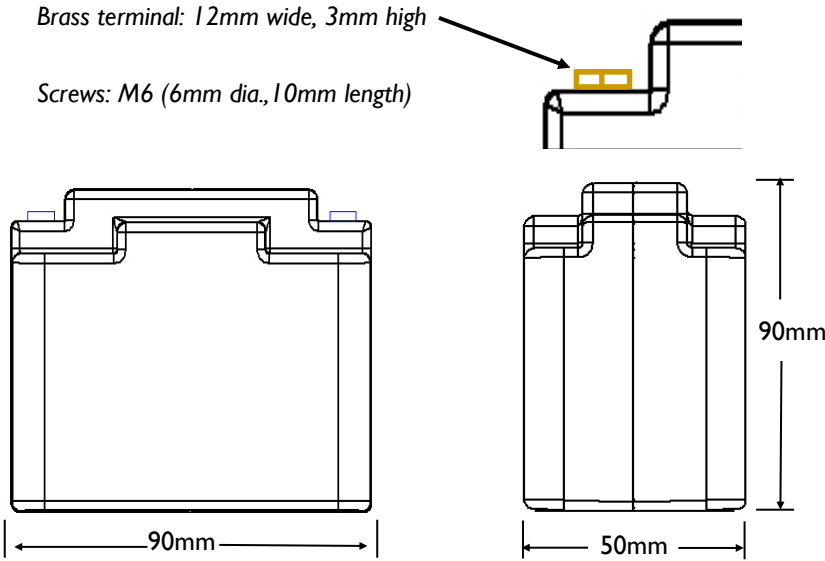




ETZ Series Lithium Batteries

ETZ5G

DIMENSIONS



New exclusively engineered and designed LiFePo4 cells allow the most cranking power possible!

Features include built in cell balancing technology, over charge protection and short circuit protection.



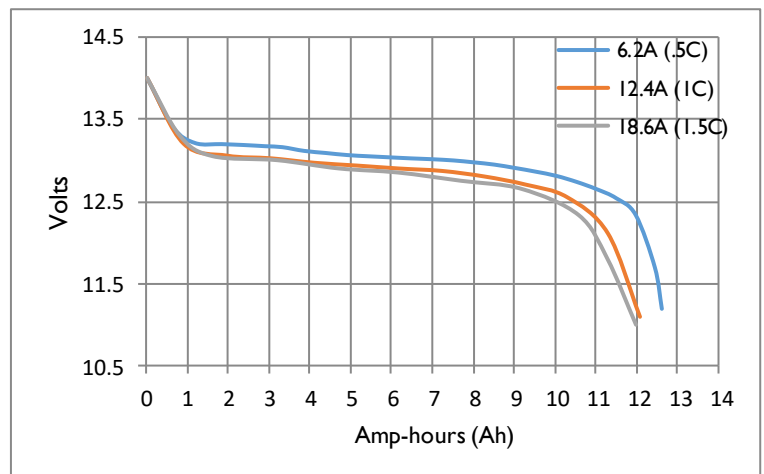
SPECIFICATIONS

Specifications

Voltage	13.2V
Capacity	3.4Ah @ 1C Rate (See charts)
Capacity vs Temperature	25 °C = 100% 0°C = 92% -30°C = 80%
Self-Discharge Rate	< 3% / month @ 25 °C
Pulse Crank Amps (PCA)	240A (3 sec @ 25 °C, voltage >9V)
Cold Crank Amps (CCA)	140A (modified SAE test, 3 sec @ 0°F, volts >7.2V)
Continuous Discharge Amps	30A
Standard Charge Voltage	13.9 - 14.6 V
Maximum Charge Voltage	15V
Recommended Charge Amps	.8 - 5A
Max Charge Amps	15A (from vehicle charging system)
Life (Charge cycles, 80% depth of discharge)	4000 cycles @ 1C discharge rate, 25°C 2000 cycles @ 10C discharge rate, 25°C
Life (Years)	Up to 8 Years
Weight	1.15 lb. (.53Kg)
Dimensions	3.54 in (L) x 1.96 in (W) x 3.38 in (H) 90mm(L) x 50mm (W) x 86mm (H)
Environmental Rating (resistance to water intrusion)	IP 66 (wash down with a high pressure washer)
Operating Temperature	-30 °C to +60 °C
Storage Temperature	-40 °C to +70 °C

Discharge Characteristics

Discharge Ah (multiple discharge rates)



Discharge Minutes (multiple discharge rates)

