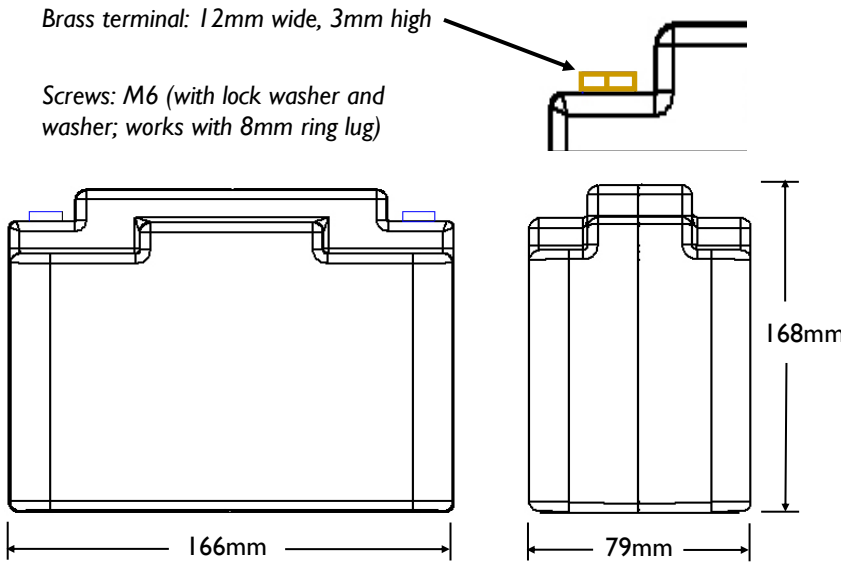


# ETX Series Lithium Batteries ETX900-TSO

DIMENSIONS



EarthX's first FAA TSO certified battery. ETX900-TSO is designed and eligible for engine compartment or in cabin installations, but the TSO is NOT an installation approval (STC or Field Approval is required in addition to the TSO). This battery has a thermal runaway containment and venting system. It is **5.4 pounds** and can be used in an aircraft with an 80 amp or less output alternator. It meets all of the DO-311A lithium battery in aircraft testing requirements.

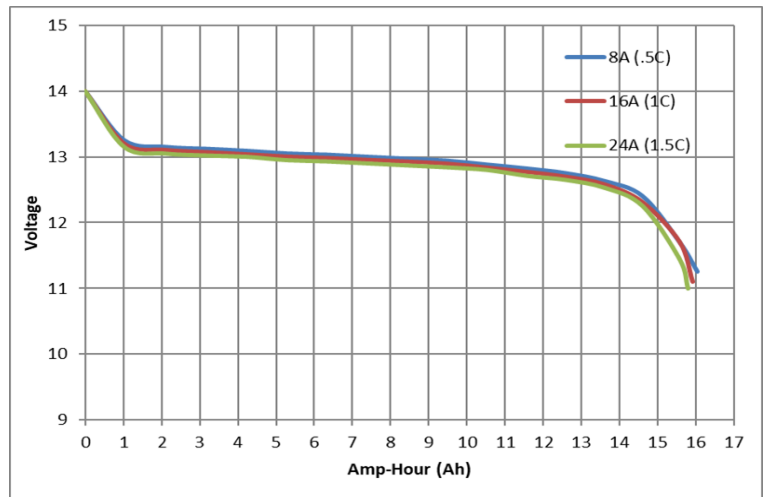


SPECIFICATIONS

Specifications	
Voltage	13.2V
Capacity(1C, 1hour at 23 °C)	15.6Ah (See charts)
Capacity vs Temperature	25 °C = 15.6Ah 0°C = 15.3Ah -30°C = 15Ah
Self-Discharge Rate	< 3% / month @ 25 °C
Peak Power (Ipp), 23/-18 °C	800A / 390A
Rated Power (Ipr), 23/-18 °C	600A / 365A
Max Discharge Amps (30min, discharging 100% of capacity)	31A
Standard Charge Voltage	13.9 - 14.6 V
Maximum Charge Voltage	15V
Recommended Charger/Maintainer Amps	.8 - 20A
Max Charge Amps	80A (from aircraft charging system)
Life (Years)	6 Years
Weight	5.4 lb. (2.4Kg)
Dimensions	6.5 in (L) x 3.1 in (W) x 6.6 in (H); 166mm(L) x 79mm (W) x 168mm (H)
Environmental Rating (resistance to water intrusion)	IP 66 (wash down with a high pressure washer)
Operating Temperature (short term)	-30 °C to +60 °C (+65° C)
Storage & Ground Survival Temperature (short term)	-45 °C to +70 °C (85°C)
Maximum Altitude	50,000Ft
Shelf Life	1 year (without charging)

## Discharge Characteristics

Discharge Ah (multiple discharge rates)



Discharge Minutes (multiple discharge rates)

