


# ETX Lithium Battery User's Manual

# Table of Contents

Overview .....	1
Technology Inside .....	1
Battery Cells.....	1
ETZ - BMS .....	2
ETX - BMS .....	2
ETX Hundred Series - BMS .....	2
Operating Instruction .....	3
Normal Operation.....	3
Abnormal Operation .....	3
Monitoring .....	3
Limitations .....	5
Specifications .....	6
Discharge Versus Temperature.....	17
Self-discharge Rates .....	18
Discharge Curves.....	19
Installation .....	21
Battery Installation.....	21
Fault Monitoring Installation (ETX Hundred Series) .....	22
Vent Tubing Installation (ETX900-VNT) .....	25
Aircraft Battery Maintenance .....	27
Charging .....	27
Storage .....	30
Warranty .....	31
Troubleshooting .....	31
Regulations .....	32
Terminology .....	32

---

**ICON KEY**

 Valuable information

 Caution

---

## Overview

EarthX Lithium batteries are designed as a maintenance free replacement for the 12 volt lead-acid or lithium batteries. To ensure a smooth replacement process, our batteries are similar in dimensions to many OEM motorsport or power sport batteries. Our 12V replacement lithium battery consists of 4 Lithium Iron Phosphate (LiFePO<sub>4</sub>) cells in series and one or more in parallel with built in electronics to protect the lithium cells.

Our lithium cells together with our Battery Management System (BMS) create the safest lithium battery on the market, with more starting power, and longer life.

### The common features of our Lithium Batteries;

- Flexible battery connection – with center mounted terminals and terminal adapters, the same batteries can be used in either left or right side polarity applications.
- Longer Storage Life –there is no need to float charge in the off season if outside of vehicle
- Environmentally Friendly – no hazardous chemicals and it can be recycled
- Fast Charge – can be fully charged in less than an hour (if charged at the maximum recommended charge rate)
- Maintenance Free!
- No Special mounting direction (could even be mounted up-side-down)
- Will Not Freeze or Boil Over – Lithium batteries are dry cell technology and will not freeze or boil ever



Failure to follow all application use, installation, charging, and storage instructions may result in battery damage and or fire!

## Technology Inside

### Battery Cells

Our batteries use cells made of Lithium Iron Phosphate (LiFePO<sub>4</sub>). This chemistry is one of the highest performance and safest on the market today.

Lithium batteries are fundamentally different than lead-acid batteries. A lithium battery voltage remains relatively constant while discharging, while voltage for a lead-acid battery decreases. A lithium battery's storage capability is nearly 100% usable (measured as Amp-Hour, Ah); while a lead-acid battery designed for motorsports typically only has 30% useful storage. As such, 2Ah lithium battery has the equivalent "useable" capacity to a 6Ah lead-acid. Also, a lithium battery's cranking power is stronger, for the voltage while cranking is generally higher. But when the lithium battery runs out of power it does so more abruptly.



## **ETX SERIES LITHIUM BATTERIES**

LiFePO<sub>4</sub> cells by the nature of their chemistry are 3.3 volt. 12V lithium batteries are created by using 4 cells in series (technically it is a 13.2 volt battery, but nominally full charge voltage is >13.3V). Lead-acid batteries are made with 6 cells in series. Another difference is that lithium cells are a dry cell technology, where the cells are packaged individually. As such, the individual cell's charge level will diverge with repeated charge/discharge cycles and age. This condition reduces the performance of the battery (reduces capacity), for the battery charge level is only as good as the charge level of the weakest cell. Moreover, charging a battery with unbalanced cells results in one or more cells reaching the maximum charge (voltage) level before the rest of the cells in the series, which leads to over-charging of the cell(s) and eventual failure.

### **ETZ - BMS**

All EarthX integrated BMSs continuously monitor each cell's voltage as part of the cell balancing and over-charge protection. If the voltage of a cell exceeds the others, the BMS circuits will work to reduce that cell's charge level. This ensures that the charge level of all the cells remains equal, even with the high discharge (> 100Amps) and charge current (>10Amps) of your vehicle.



A cell can be permanently damaged if over-charged (over-voltage) just one time. The BMS has circuitry to block incoming current to the battery from the charging system if the voltage exceeds 15.5 volts (an over-charge condition). Once the voltage level is below 15.5V, the BMS will automatically reset itself. The ETX Hundred Series batteries have enhanced over-charge protection; see the ETX - Hundred Series section below for more details.

The ETZ BMS has short circuit protection, but it is not resettable or repairable.

### **ETX - BMS**

The ETX series BMS has all the features of the ETZ series, plus over-discharged protection (completely draining the battery), excessive cranking protection, and short-circuit protection.



The BMS disconnects the battery from the load if it is drained to less than 5% remaining charge (an over-discharge condition). An over-discharged battery typically has a voltage less than 11.5V. If the BMS disconnects the battery, the voltage reading of the battery will be zero volts. Excessive cranking protection logic includes temperature monitoring to limit "high current use" (engine cranking) to 10 -30 seconds in any 60 second period. If the battery terminals are "shorted" (or a low impedance load is connected across terminals), which causes the battery volts to instantaneously drop to a very low level, the battery will disconnect from the load to protect the cells and BMS from damage (short circuit protection). If the BMS disconnects due to excessive cranking protection or short circuit protection, the BMS will automatically reconnect after a cooldown period (typically 1-3 minutes). The ETX series is designed for short circuit protection > 1000 Amps.

### **ETX Hundred Series - BMS**

Only the ETX "Hundred Series" battery models are recommended for use as the primary aircraft battery (starter battery). In addition to the features found in the ETZ and ETX series motorsports batteries, critical electronic circuits are redundant, the over-charge

## ETX SERIES LITHIUM BATTERIES

protection is enhanced, and fault indication is included. All components associated with main electronic battery disconnect are redundant. The built-in redundancy ensures that no single point failure results in the battery unintentionally disconnecting. The design aligns with the requirements for a FAA approved lithium battery as per RTCA performance specification DO-311 and DO-160. Our ETX900-VNT includes a thermal run-away containment system making it fully compliant to DO-311 specification.

In the event of a charging system failure where the voltage increases to above 15.5V, the resistance to charging current increases, and above 16V the charging current is completely blocked. The time delay for this feature is 2 second to allow the aircraft alternator's over voltage protection (crowbar circuit) to activate first. This design offers charge voltage protection greater than 40V. The discharge current (current out of battery) is unaffected in this situation. EarthX requires having automatic over-voltage protection (crowbar) for alternator type charging systems (not required for <20 Amp pad mount standby alternators).

The battery's micro-controller monitors all failure modes, and reports failures with a built-in LED indicator and discrete output. The discrete output for external fault monitoring is a single wire connection with a 1/4" quick connect terminal. The output is a "current sinking" type circuit (see diagram below) that can handle 100mA (connects the discrete output to battery ground if a fault is present). This output can be connected to an external 12V LED or general purpose discrete input of an EFIS. The fault output has three states; fast flashing (2 second on/ 2 second off), slow flashing (5 second on/ 5 second off) or solid.

## Operating Instruction

### Normal Operation

Under normal operating conditions the battery performs as any lead acid battery, storing energy from the charging system and supplying it when the charging system is off.

### Abnormal Operation

Under abnormal conditions that exceed the operating limits of the battery the battery may stop supplying power. Two such important examples are over-discharge and over-temperature. The over discharge protection shuts off outgoing power when the battery is 95% discharged (supplied 95% of its available energy). The over-temperature protection shuts off outgoing power when cells and electronics get too hot as the result of excessive cranking (i.e. cranking the engine for more than 15 seconds within a 1-minute period).

### Monitoring

The slow flashing fault can indicate an improper state of charge or a problem with the cells internal to the battery. If the battery voltage is outside the normal range of operation, 12.8V to 14.6V, the battery is over-discharged or over-charged, most likely the result of an issue with the electrical/charging system. If the battery voltage is within the normal operating range, with a slow flashing fault, it is indicating an abnormal condition with a cell, such as one cell's state of charge is very different as compared to the other cells (high cell charge level imbalance). The slow flashing fault may come on briefly during or following periods of high current charging, and is not a concern. But if the fault persist, comes on

## ETX SERIES LITHIUM BATTERIES

consistently during charging, or remains (charging or not), the battery will need to be replaced.

The solid fault indicates a BMS hardware failure. For example, if the micro-controller fails the fault indication output is activated (on solid). If the fault persist, comes on and stays on, the battery will need to be replaced.

The fast flashing fault is an indication of high temperature; temperature exceeding the normal operating or storage limits of the battery.

The table below shows the most common fault conditions and possible causes.

LED Light	Voltage	Possible Cause	Recommended Action
Slow Flashing (5s on/5s off)	Less than 12.8V	Battery over-discharged (due to faulty charging system)	Charge battery. Once charged, the light will stop flashing.
Slow Flashing (5s on/5s off)	Less than 13.2V	Weak or failing cell	Charge battery. If voltage drops below 13.2V within a few days, discontinue use.
Slow Flashing (5s on/5s off) (> 1 hour time period)	13.2V-14.6V	Weak or failing cell	Discontinue use. If in flight, this is not an immediate issue unless it is in conjunction with a charging system failure.
Slow Flashing (5s on/5s off) (< 30 min. time period)	13.2V -14.6V	Cell to cell charge levels are not balanced	May come on briefly during periods of high current charging until the cells are automatically balanced. Try charging with a plugin charger, like an Optimate Lithium charger.
Slow Flashing (5s on/5s off)	Greater than 15.2V	Over-charging (due to faulty charging system)	<b>If in flight, shutoff charging system immediately.</b> Aircraft over-voltage protection is required if alternator charging system is greater than 20 amps (i.e. over voltage crowbar circuit)
Solid Light	Any voltage	BMS electronic issue	Discontinue use. If in flight, this is not an immediate issue unless it is in conjunction with a charging system failure.
Solid Light that turns off after 3 minutes	Any voltage	Short Circuit protection was activated	Nothing needs to be done.
Short Flashing (2s on/2s off)	Any voltage	High battery temperature (> 75°C / 170°F)	Let battery cool down prior to cranking or charging. If in flight, this is not an immediate issue, but if it continues on subsequent flights, investigate and mitigate

## ETX SERIES LITHIUM BATTERIES

			high temperature at battery location.
--	--	--	---------------------------------------



A sustained fault can indicate a serious issue with the battery or vehicle charging system that requires immediate attention. Discontinue use until the issue is resolved and the battery no longer indicates a fault. **Continued use of a faulty battery can result in a cell rupture, the release of flammable vapors, smoke and or a fire.**

### Limitations

Below are the installation specific limitation / requirements:

- The maximum charge rating shown in the specification section (model specific) must be adhered to.
- Automatic over-voltage protection is required on aircraft alternators with a maximum RPM greater than 4500.
- Only modern vehicle charging systems like 3-phase alternators or permanent magnet alternators are recommended as the charging source for this battery.
- For ETX hundred series batteries, the battery fault monitoring circuit must be installed and tested (see installation section of this manual).

The battery must be installed in such a manner and or location to limit radiant and convection heating. The maximum short term **environmental** temperature of battery location should be less than 85°C. The battery should not be placed in close proximity to high temperature surfaces without the use of heat shields.

## Specifications

### Model: ETZ5G

Voltage	13.2 V
Ah (lead-acid equivalent)	10
Ah (1 hour discharge rate)	3.4 (1C rate)
Pulse Crank Amps (PCA)	240A (3 sec @ 20 °C, voltage >7.2V)
Cold Crank Amps (CCA)	140A (modified SAE test, 3 sec@ 0°F, voltage >7.2V)
Max Continuous Discharge Amps	30A
Standard Charge Voltage	13.9 - 14.6 V
Recommended Charger/Maintainer Amps	.8 - 5A
Max Charge Amps	15A (from vehicle charging system)
Life (Charge cycles)	4000 cycles @ 1C discharge rate, 25°C (20% depth of discharge) 2000 cycles @10C discharge rate, 25°C (80% depth of discharge)
Life (Years)	8 Years
Weight	1.17 lb. (.53Kg)
Dimensions	3.54in x 1.96in x 3.54in (90mmX50mmX90mm)
Environmental Rating (resistance to water intrusion)	IP 66 (wash down with a high-pressure washer)
Operating Temperature	-30 °C to +60 °C
Storage Temperature	-40 °C to +70 °C

### Model: ETZ14C

Voltage	13.2 V
Ah (lead-acid equivalent)	20
Ah (1 hour discharge rate)	6.8 (1C rate)
Pulse Crank Amps (PCA)	690A (3 sec @ 20 °C, voltage >7.2V)
Cold Crank Amps (CCA)	330A (modified SAE test, 3 sec@ 0°F, voltage >7.2V)
Max Continuous Discharge Amps	60A
Standard Charge Voltage	13.9 - 14.6 V
Recommended Charger/Maintainer Amps	.8 - 10A
Max Charge Amps	30A (from vehicle charging system)
Life (Charge cycles)	4000 cycles @ 1C discharge rate, 25°C (20% depth of discharge) 2000 cycles @10C discharge rate, 25°C (80% depth of discharge)
Life (Years)	8 Years
Weight	2.5 lb. (1.1Kg)



**ETX SERIES LITHIUM BATTERIES**

Dimensions	5.9in x 3.4in x 4.5in (150mmX86mmX115mm)
Environmental Rating (resistance to water intrusion)	IP 66 (wash down with a high-pressure washer)
Operating Temperature	-30 °C to +60 °C
Storage Temperature	-40 °C to +70 °C

**Model: ETX12A, ETX12B (ETX12B discontinued as of 4-2016, use ETX12A as replacement)**

Voltage	13.2 V
Ah (Lead-acid equivalent)	12
Ah (1 hour discharge rate)	4 (1C rate)
Pulse Crank Amps (PCA)	220A (3 sec @ 20 °C, voltage >7.2V)
Cold Crank Amps (CCA)	135A (modified SAE test, 3 sec@ 0°F, voltage >7.2V)
Max Continuous Discharge Amps	40A
Standard Charge Voltage	13.9 - 14.6 V
Recommended Charger/Maintainer Amps	.8 - 5A
Max Charge Amps	20A (from vehicle charging system)
Life (Charge cycles)	4000 cycles @ 1C discharge rate, 25°C (20% depth of discharge) 2000 cycles @10C discharge rate, 25°C (80% depth of discharge)
Life (Years)	8 Years
Weight	1.3 lb. (.6Kg)
Dimensions	<b>ETX12A</b> 4.5in x 2.6in x 3.7in (113mmX66mmX95mm) <b>ETX12B</b> 5.3in x 2.6in x 4.1in (135mmX66mmX105mm)
Environmental Rating (resistance to water intrusion)	IP 66 (wash down with a high-pressure washer)
Operating Temperature	-30 °C to +60 °C
Storage Temperature	-40 °C to +70 °C

**Model: ETX18B, ETX18C, ETX18F (ETX18C discontinued as of 2-2019, use ETX18F as replacement)**

Voltage	13.2 V
Ah (Lead-acid equivalent)	18
Ah (1 hour discharge rate)	6.2 (1C rate)
Pulse Crank Amps (PCA)	340A (3 sec @ 20 °C, voltage >7.2V)
Cold Crank Amps (CCA)	230A (modified SAE test, 3 sec@ 0°F, voltage >7.2V)
Max Continuous Discharge Amps	60A
Standard Charge Voltage	13.9 - 14.6 V

**ETX SERIES LITHIUM BATTERIES**

Recommended Charger/Maintainer Amps	.8 - 8A
Max Charge Amps	30A (from vehicle charging system)
Life (Charge cycles)	4000 cycles @ 1C discharge rate, 25°C (20% depth of discharge) 2000 cycles @10C discharge rate, 25°C (80% depth of discharge)
Life (Years)	8 Years
Weight	2.2 lb.(1Kg)
Dimensions	<b>ETX18B</b> 5.3in x 2.6in x 4.1in (135mmX66mmX105mm) <b>ETX18C</b> 5.9in x 3.4in x 4.5in (150mmX86mmX115mm) <b>ETX18F</b> 5.9in x 3.4in x 3.6in (150mmX86mmX93mm)
Environmental Rating (resistance to water intrusion)	IP 66 (wash down with a high-pressure washer)
Operating Temperature	-30 °C to +60 °C
Storage Temperature	-40 °C to +70 °C

**Model: ETX24C, ETX24D (ETX24D discontinued as of 11-1-2017 use ETX24C as replacement or upgrade to ETX36D)**

Voltage	13.2 V
Ah (Lead-acid equivalent)	24
Ah (1 hour discharge rate)	7.8 (1C rate)
Pulse Crank Amps (PCA)	420A (3 sec @ 20 °C, voltage >7.2V)
Cold Crank Amps (CCA)	270A (modified SAE test, 3 sec@ 0°F, voltage >7.2V)
Max Continuous Discharge Amps	80A
Standard Charge Voltage	13.9 - 14.6 V
Recommended Charger/Maintainer Amps	.8 - 10A
Max Charge Amps	40A (from vehicle charging system)
Life (Charge cycles)	4000 cycles @ 1C discharge rate, 25°C (20% depth of discharge) 2000 cycles @10C discharge rate, 25°C (80% depth of discharge)
Life (Years)	8 Years
Weight	2.6 lb. (1.2Kg)
Dimensions	<b>ETX24C</b> 5.9in x 3.4in x 4.5in (150mmX86mmX115mm) <b>ETX24D</b> 6.9in x 3.4in x 6.1in (175mm X86mm X155mm)
Environmental Rating (resistance to water intrusion)	IP 66 (wash down with a high-pressure washer)

**ETX SERIES LITHIUM BATTERIES**

Operating Temperature	-30 °C to +60 °C
Storage Temperature	-40 °C to +70 °C

**Model: ETX36C, D & E (ETX36E discontinued as of 2-2019, use ETX680 as replacement)**

Voltage	13.2 V
Ah (Lead-acid equivalent)	36
Ah (1 hour discharge rate)	12.4 (1C rate)
Pulse Crank Amps (PCA)	680A (3 sec @ 20 °C, voltage >7.2V)
Cold Crank Amps (CCA)	320A (modified SAE test, 3 sec@ 0°F, voltage >7.2V)
Max Continuous Discharge Amps	100A
Standard Charge Voltage	13.9 - 14.6 V
Recommended Charger/Maintainer Amps	.8 - 15A
Max Charge Amps	60A (from vehicle charging system)
Life (Charge cycles)	4000 cycles @ 1C discharge rate, 25°C (20% depth of discharge) 2000 cycles @10C discharge rate, 25°C (80% depth of discharge)
Life (Years)	8 Years
Weight	3.9 lb. (1.8Kg)
Dimensions	<b>ETX36C</b> 5.9in x 3.4in x 4.5in (150mmX86mmX115mm) <b>ETX36D</b> 6.9in x 3.4in x 6.1in (175mm X86mm X155mm) <b>ETX36E</b> 6.5in x 3.1in x 6.6in (166mm X79mm X168mm)
Environmental Rating (resistance to water intrusion)	IP 66 (wash down with a high-pressure washer)
Operating Temperature	-30 °C to +60 °C
Storage Temperature	-40 °C to +70 °C

**Model: ETX48E (discontinued as of 3-1-2017-use ETX1200 as replacement)**

Voltage	13.2 V
Ah (Lead-acid equivalent)	48
Ah (1 hour discharge rate)	24.8 (1C rate)
Pulse Crank Amps (PCA)	1200A (3 sec @ 20 °C, voltage >7.2V)
Cold Crank Amps (CCA)	600A (modified SAE test, 3 sec@ 0°F, voltage >7.2V)
Max Continuous Discharge Amps	150A
Standard Charge Voltage	13.9 - 14.6 V
Recommended Charger/Maintainer Amps	5 - 30A

**ETX SERIES LITHIUM BATTERIES**

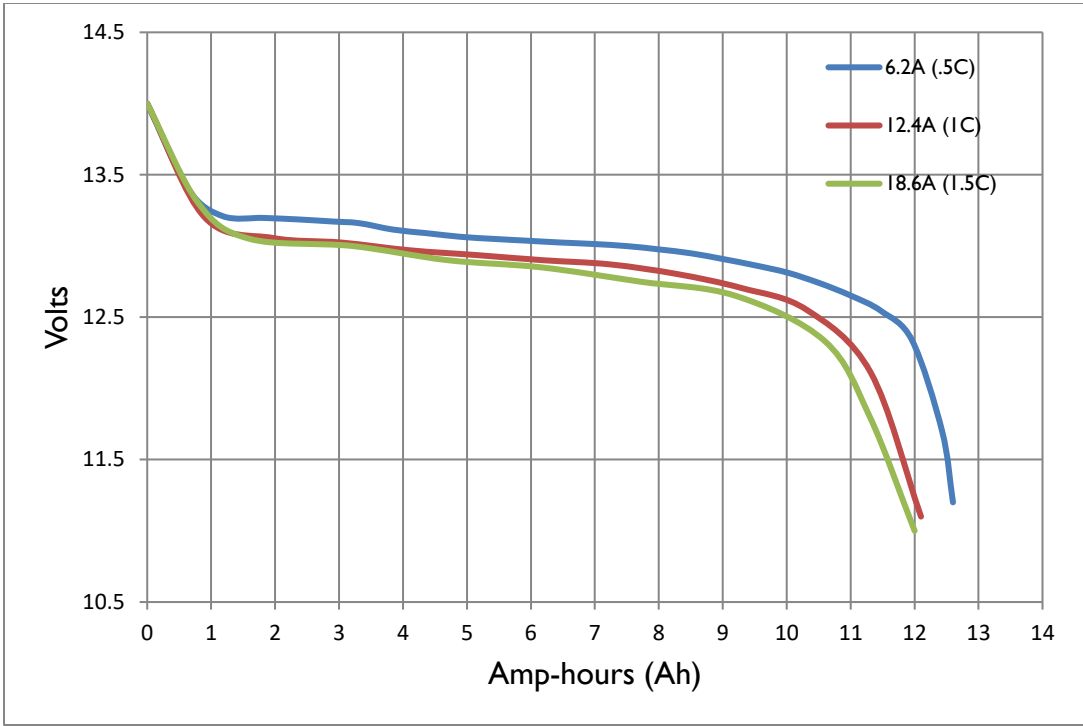
Max Charge Amps	150A (from vehicle charging system)
Life (Charge cycles)	4000 cycles @ 1C discharge rate, 25°C (20% depth of discharge) 2000 cycles @10C discharge rate, 25°C (80% depth of discharge)
Life (Years)	8 Years
Weight	7.7 lb. (3.5Kg)
Dimensions	6.6in x 3.4in x 6.9in (166mm X86mm X175mm)
Environmental Rating (resistance to water intrusion)	IP 66 (wash down with a high-pressure washer)
Operating Temperature	-30 °C to +60 °C
Storage Temperature	-40 °C to +70 °C

**Model: ETX680/ETX680C**

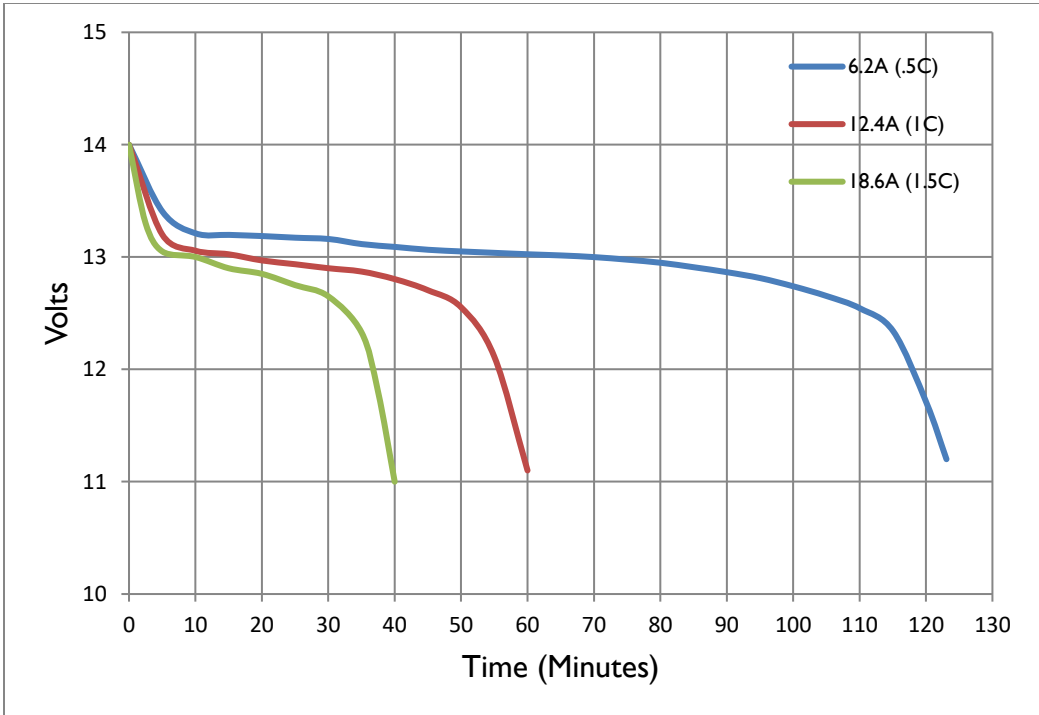
Voltage	13.2 V
Capacity	12.4Ah @ 1C rate (See below)
Capacity vs Temperature	25 °C = 100% 0°C = 94% -30°C = 88%
Self-Discharge Rate	<3%/month @ 25°C
Pulse Crank Amps (PCA)	680A (3 sec @ 20 °C, voltage >7.2V)
Cold Crank Amps (CCA)	320A (modified SAE test, 3 sec@ 0°F, voltage >7.2V)
Max Continuous Discharge Amps	100A
Standard Charge Voltage	13.9 - 14.6 V
Recommended Charger/Maintainer Amps	5 - 15A
Max Charge Amps	60A (from vehicle charging system)
Life (Charge cycles)	4000 cycles @ 1C discharge rate, 25°C (20% depth of discharge) 2000 cycles @10C discharge rate, 25°C (80% depth of discharge)
Life (Years)	8 Years
Weight	4.1 lb. (1.9Kg)/3.9 lb. (1.8Kg)
<b>Dimensions</b>	<b>ETX680</b> 6.5in (L) x 3.1in (W) x 6.6in (H) 166mm(L)x79mm(W)x168mm(H) <b>ETX680C</b> 5.9in (L) x 3.4in (W) x 4.5in (H) 150mm(L)x86mm(W)x115mm(H)
Environmental Rating (resistance to water intrusion)	IP 66 (wash down with a high-pressure washer)
Operating Temperature	-30 °C to +60 °C

**ETX SERIES LITHIUM BATTERIES**

Storage Temperature	-40 °C to +70 °C
Maximum Altitude	55,000 Ft



ETX680/680C Discharge Capacity



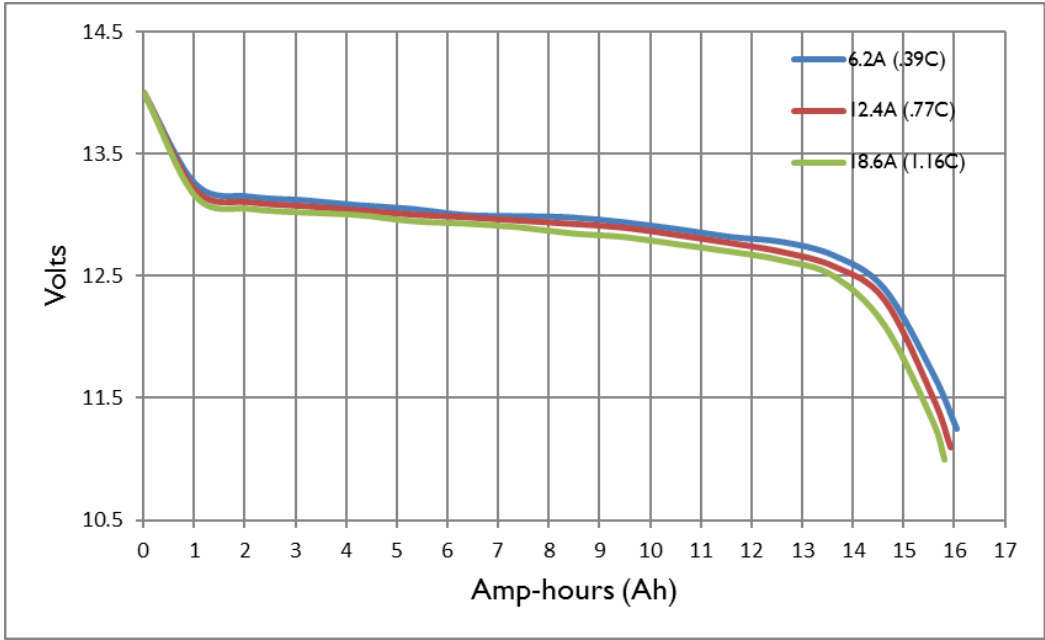
ETX680/680C Discharge Time

**ETX SERIES LITHIUM BATTERIES**

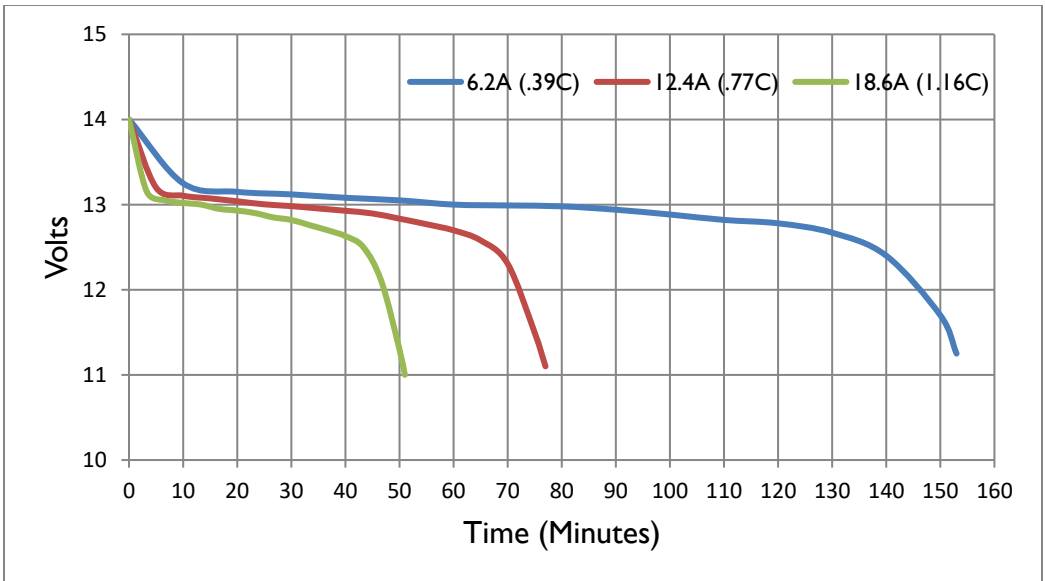
**Model: ETX900 / ETX900-VNT**

Voltage	13.2 V
Capacity	15.6Ah @ 1C rate (See below)
Capacity vs Temperature	25 °C = 100% 0°C = 94% -30°C = 88%
Self-Discharge Rate	<3%/month @ 25°C
Pulse Crank Amps (PCA)	840A (3 sec @ 20 °C, voltage >7.2V)
Cold Crank Amps (CCA)	400A (modified SAE test, 3 sec@ 0°F, voltage >7.2V)
Max Continuous Discharge Amps	150A
Standard Charge Voltage	13.9 - 14.6 V
Recommended Charger/Maintainer Amps	5 - 20A
Max Charge Amps	80A (from vehicle charging system)
Life (Charge cycles)	4000 cycles @ 1C discharge rate, 25°C (20% depth of discharge) 2000 cycles @10C discharge rate, 25°C (80% depth of discharge)
Life (Years)	8 Years
Weight (ETX900) / (ETX900-VNT)	4.9 lb. (2.2Kg) / (VNT model is 5.4lb)
Dimensions	6.5in (L) x 3.1in (W) x 6.6in (H) 166mm(L)x79mm(W)x168mm(H)
Environmental Rating (resistance to water intrusion)	IP 66 (wash down with a high-pressure washer)
Operating Temperature	-30 °C to +60 °C
Storage Temperature	-40 °C to +70 °C
Maximum Altitude	55,000 Ft

**ETX SERIES LITHIUM BATTERIES**



ETX900 Discharge Capacity



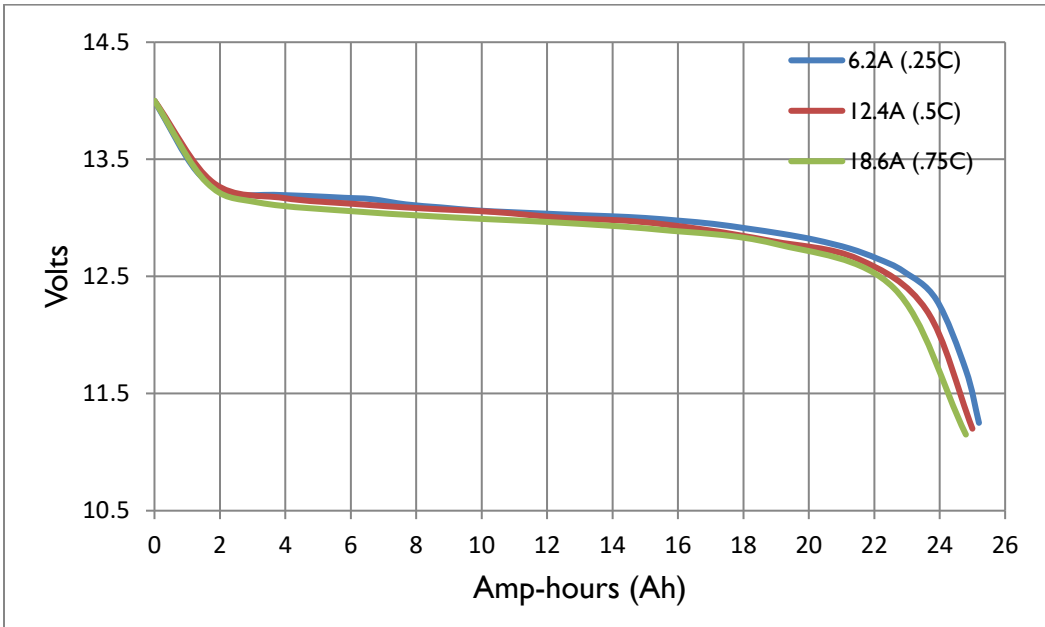
ETX900 Discharge Time

**Model: ETX1200**

Voltage	13.2 V
Nominal Voltage	12.8 V
Capacity	24.8Ah @ 1C rate (See below)
Capacity vs Temperature	25 °C = 100% 0°C = 94% -30°C = 88%
Self-Discharge Rate	<3%/month @ 25°C

**ETX SERIES LITHIUM BATTERIES**

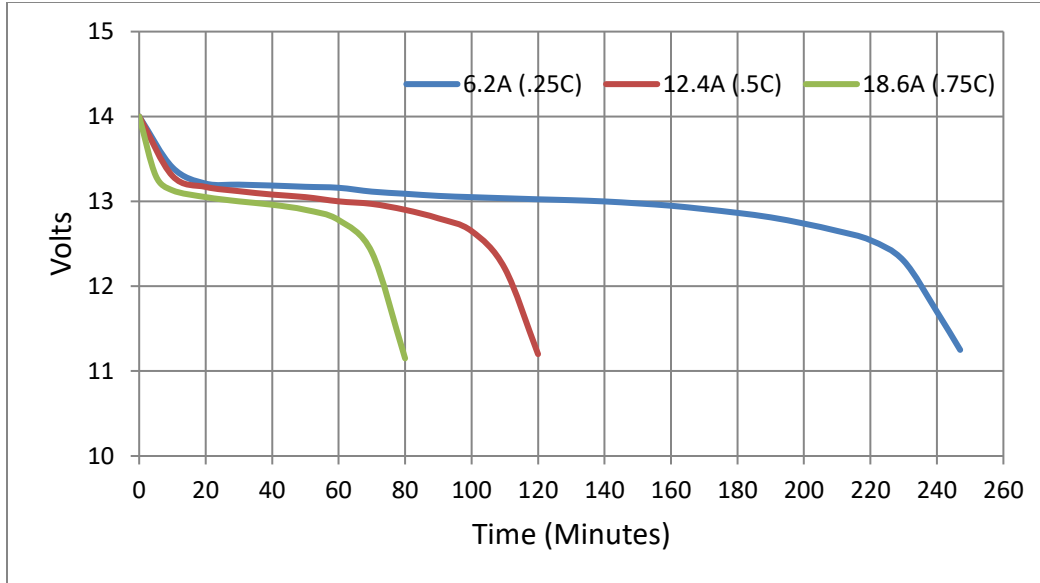
Pulse Crank Amps (PCA)	1200A (3 sec @ 20 °C, voltage >7.2V)
Cold Crank Amps (CCA)	600A (modified SAE test, 3 sec@ 0°F, voltage >7.2V)
Max Continuous Discharge Amps	150A
Standard Charge Voltage	13.9 - 14.6 V
Recommended Charger/Maintainer Amps	5 - 30A
Max Charge Amps	120A (from vehicle charging system)
Life (Charge cycles)	4000 cycles @ 1C discharge rate, 25°C (20% depth of discharge) 2000 cycles @10C discharge rate, 25°C (80% depth of discharge)
Life (Years)	8 Years
Weight	6.9 lb. (3.15Kg)
Dimensions	6.5in (L) x 3.1in (W) x 6.6in (H) 166mm(L)x79mm(W)x168mm(H)
Environmental Rating (resistance to water intrusion)	IP 66 (wash down with a high-pressure washer)
Operating Temperature	-30 °C to +60 °C
Storage Temperature	-40 °C to +70 °C
Maximum Altitude	55,000 Ft



ETX1200 Discharge Capacity



**ETX SERIES LITHIUM BATTERIES**



ETX1200 Discharge Time

**Model: ETX1600**

Voltage	13.2 V
Nominal Voltage	12.8 V
Capacity	32Ah @ 1C rate
Capacity vs Temperature	25 °C = 100% 0°C = 94% -30°C = 88%
Self-Discharge Rate	<2%/month @ 25°C
Pulse Crank Amps (PCA)	1600A (3 sec @ 20 °C, voltage >7.2V)
Cold Crank Amps (CCA)	760A (modified SAE test, 3 sec@ 0°F, voltage >7.2V)
Max Continuous Discharge Amps	200A
Standard Charge Voltage	13.9 - 14.6 V
Recommended Charger/Maintainer Amps	5 - 30A
Max Charge Amps	160A (from vehicle charging system)
Life (Charge cycles)	4000 cycles @ 1C discharge rate, 25°C (20% depth of discharge) 2000 cycles @ 10C discharge rate, 25°C (80% depth of discharge)
Life (Years)	8 Years
Weight	8.9 lb. (4Kg)
Dimensions	6.5 in (L) x 5.1 in (W) x 6.6 in (H) 166mm(L) x 129mm (W) x 168mm (H)
Environmental Rating (resistance to water intrusion)	IP 66 (wash down with a high-pressure washer)
Operating Temperature	-30 °C to +60 °C
Storage Temperature	-40 °C to +70 °C

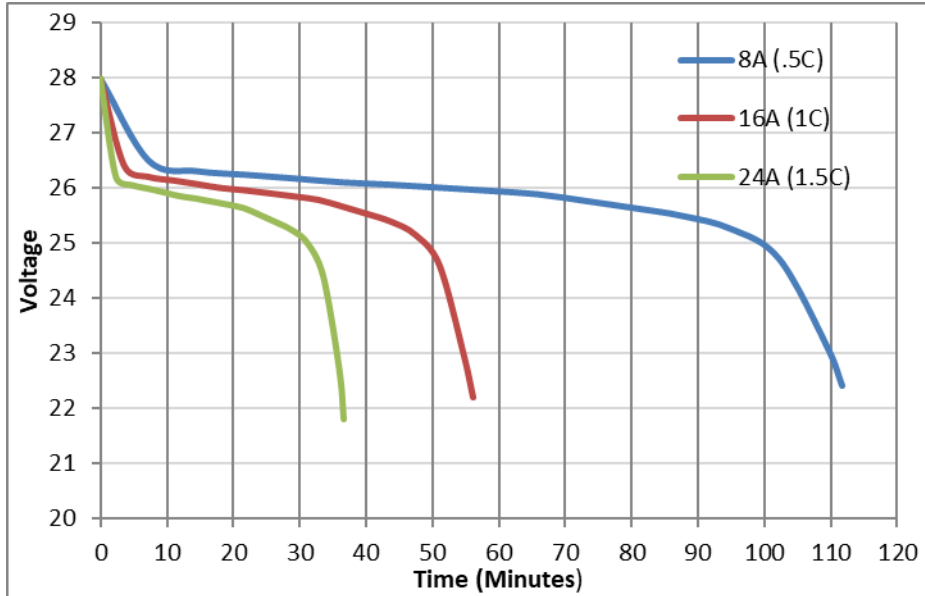
**ETX SERIES LITHIUM BATTERIES**

Maximum Altitude	55,000 Ft
------------------	-----------

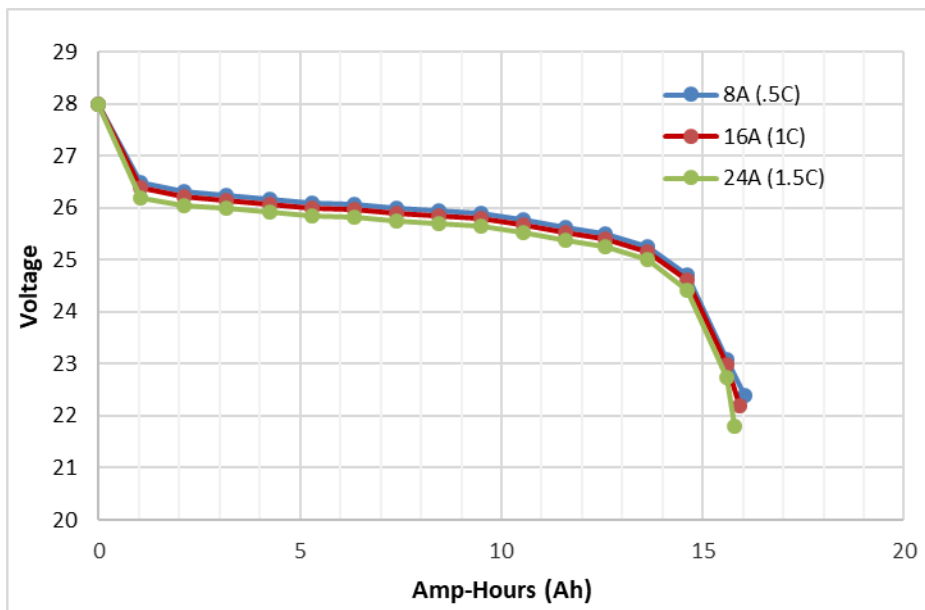
**Model ETX900-24**

Voltage	26.4 V
Capacity	15.6Ah (See charts)
Capacity vs Temperature	25 °C = 100% 0°C = 92% -30°C = 80%
Self-Discharge Rate	< 2% / month @ 25 °C
Pulse Crank Amps (PCA)	840A (3 sec @ 25 °C, voltage >9V)
Cold Crank Amps (CCA)	400A (modified SAE test, 3 sec@ 0°F, volts >7.2V)
Continuous Discharge Amps	150A
Standard Charge Voltage	27.8 – 29.2V
Maximum Charge Voltage	29.2V
Recommended Charger/Maintainer Amps	5 - 20A
Max Charge Amps	80A (@29V from charging system); 150A (@28.2V from charging system)
Life (Charge cycles, 80% depth of discharge)	4000 cycles @ 1C discharge rate, 25°C 2000 cycles @10C discharge rate, 25°C
Life (Years)	8 Years
Weight	8.9lb. (4.0Kg)
Dimensions	6.5 in (L) x 5.1 in (W) x 6.6 in (H) 166mm(L) x 129mm (W) x 168mm (H)
Environmental Rating (resistance to water intrusion)	IP 66 (wash down with a high pressure washer)
Operating Temperature (Short Term)	-30 °C to +60 °C; (65 °C)
Storage Temperature	-40 °C to +70 °C

## ETX SERIES LITHIUM BATTERIES



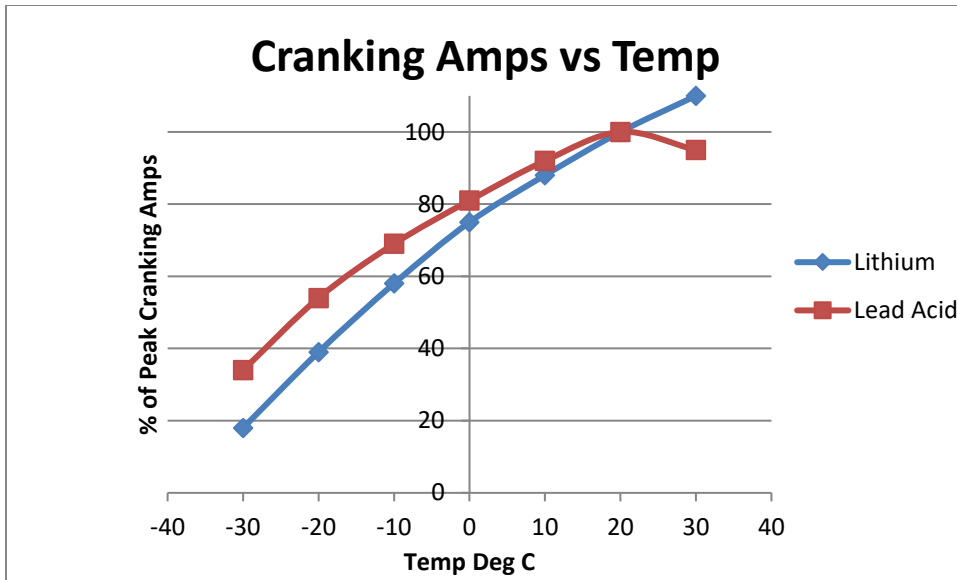
ETX900-24 Discharge Time



ETX900-24 Discharge Capacity

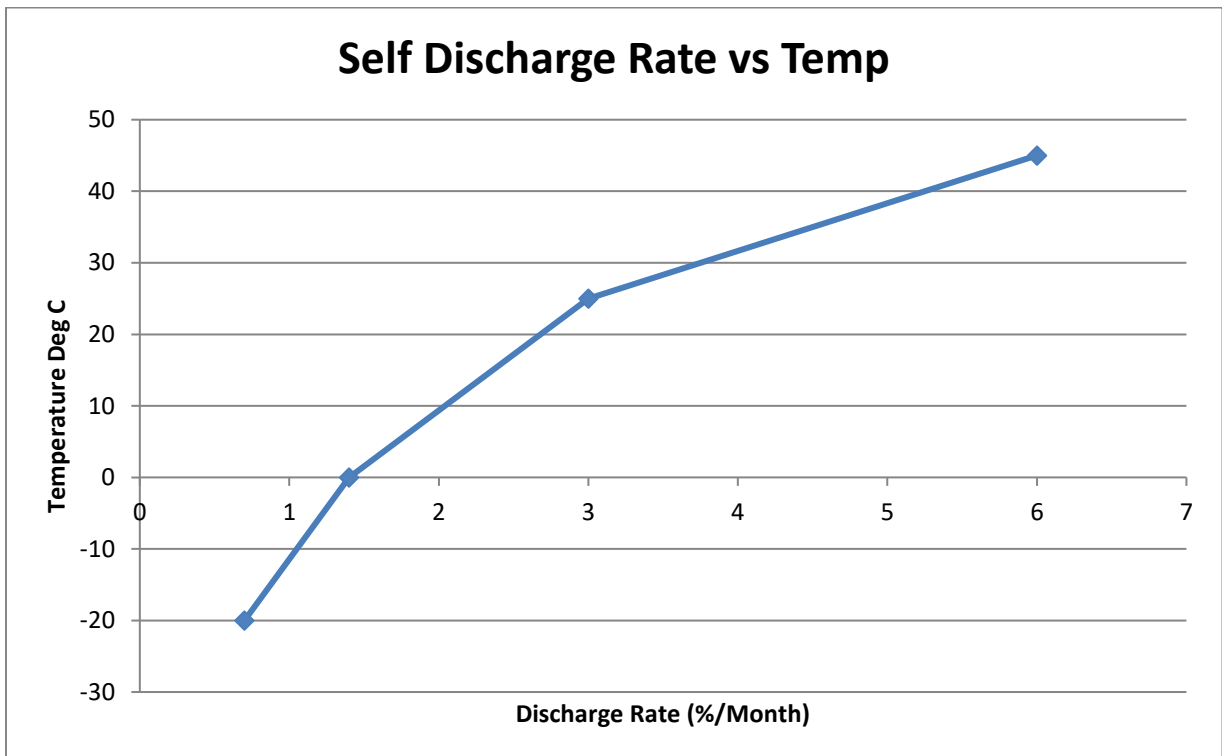
## Discharge Versus Temperature

We use a similar Cold Cranking Amp test standard as the lead acid battery manufacturers (SAE test performed at 0°F, but 3 second discharge time vs 30 second). As such, our battery with a similar CCA rating as a lead acid battery should provide the same cranking performance at 0°F. But, below 0°F an equivalent lead acid battery will outperform a lithium battery (see the graph below).



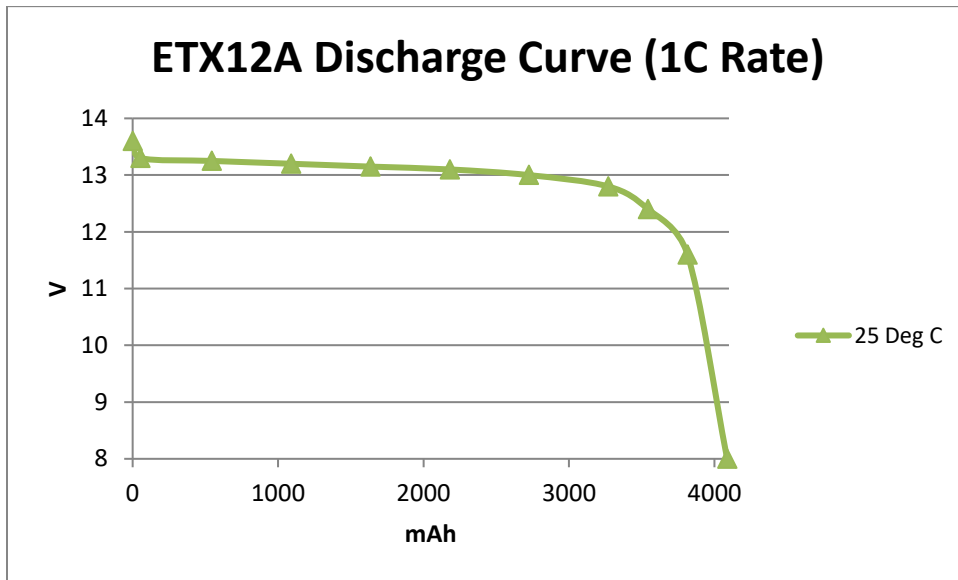
## Self-discharge Rates

The self-discharge rate is dependent on temperature. At high temperatures ( $>25^{\circ}\text{C}$ ), the cell internal resistance decreases so the self-discharge rate increases. See the graph below for self-discharge rates (in % per month) versus temperature.

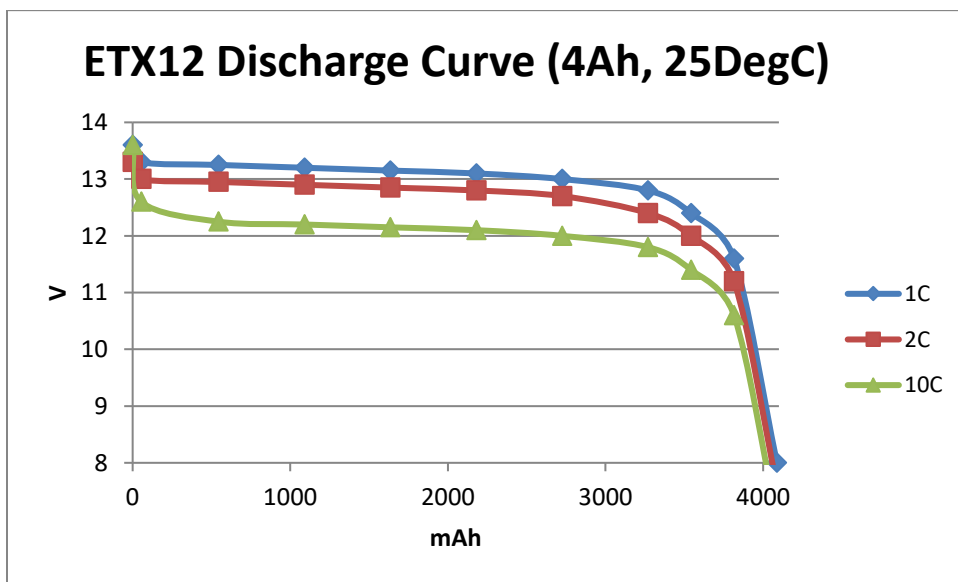


## Discharge Curves

Voltage is not a good indication of the state-of-charge in lithium batteries. The first graph below shows the state-of-charge versus voltage at a 1C discharge rate for the ETX12 (representative of the ETX series batteries). Typically, lithium batteries require advanced methods like current counting to track the charge level. As seen from the graph, the voltage only varies .4V for nearly 80% of the discharge cycle at 25 deg C. 13.4V is a good indication of full charge, while 12.8V is an indication of full discharge at 25 deg C.

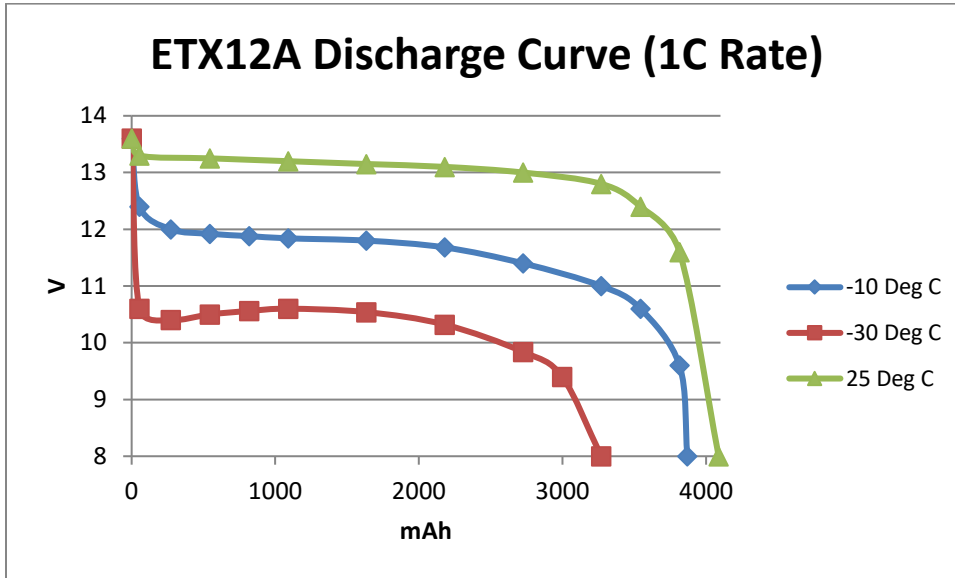


The graph below illustrate that usable Ah is nearly the same regardless of the discharge rate, with the voltage remaining above 11.5V for most of the discharge cycle.



## ETX SERIES LITHIUM BATTERIES

Like lead acid batteries, lithium batteries' discharge performance is lower as the temperature decreases, meaning the voltages and the Ah are lower. The graph below shows the ETX12 discharge curves at a 1C rate over a wide operating temperature range. Note: there can be as much as a 15% decrease in Ah and discharge voltage at -30deg C as compared to 25 deg C. All the EarthX ETX series batteries exhibit similar discharge curve profiles.



## Installation

### Battery Installation

Lithium Iron Phosphate batteries are very robust, but if mishandled or misused they can rupture and they can burn. Please review WARNING section for details. Never disassemble the battery or disable the built-in Battery Management System (BMS). Never expose the battery to fire or temperatures above 200° F or 100° C. Never short-circuit the positive and negative terminals of the battery. If you must jump start your battery, do it only with a like sized battery. For example, if you have a dirt bike battery that is 4 amps, you can jump start it with another dirt bike battery of similar amps (4-8amps) etc. You do not want to jump start any battery, lead acid or lithium, from 2 batteries of unlike size as this can lead to cell rupture, explosion of a lead acid battery, and or fire. It is recommended you check the voltage before installing. If the voltage is below 13.2V (26.4V for 24V replacement batteries), charge the battery before installing. Remove all metal objects from your person before handling the battery and use insulated tools for installation. Follow these steps to properly and safely install your new ETX Lithium battery.

1. Remove the old battery, while paying attention to the routing and placement of wires, cables and protective covers.
2. Check the battery cables and connectors for corrosion or damage. Pay special attention to the positive battery cable (red cable), checking for cuts or wear marks in the insulation. Clean and or replace the battery cables as required.
3. (Skip this step if you don't have front mounted terminals or 5mm screws) If your vehicle's battery cables connect to the front of the battery, or uses 5mm screws, then you will need to use our battery terminal adapter. Connect the terminal adapter to the battery now. Make sure the Phillips screws are securely fastened (30-35in-lbs), but do not over-tighten.
4. Measure the length, width and height of the original battery. In some cases, the ETX Lithium battery will be smaller than the original. Use the included foam spacers to make the new battery the same or slightly bigger than the original. In some cases, multiple adhesive backed foam spacers will have to be stacked together. For our larger batteries, like the ETX18C or ETX24C use two stacks of foam on each end of the bottom of the battery to build up the height (see the picture to the right).
5. Place the battery in the vehicle and check that it is a snug fit.
6. Connect the positive (red) cable first. Make sure the Phillips screw is securely fastened (30-35in-lbs), but do not over-tighten. Next, connect the negative (black) cable. Do not connect the battery in reverse polarity (positive to negative or negative to positive).



## ETX SERIES LITHIUM BATTERIES

7. Re-install the battery holder or strap and tighten securely. Re-secure all the wires and cables with zip-ties or other fasteners.



Be careful that the positive battery terminal does not or will not touch any metal parts of the vehicle.

### Fault Monitoring Installation (ETX Hundred Series)

The ETX Hundred Series batteries have a discrete output that can be connected to many aircraft Electronic Flight Instrument System (EFIS) electronics or to a remote mounted LED. The diagrams below detail the required connections for both type installations.

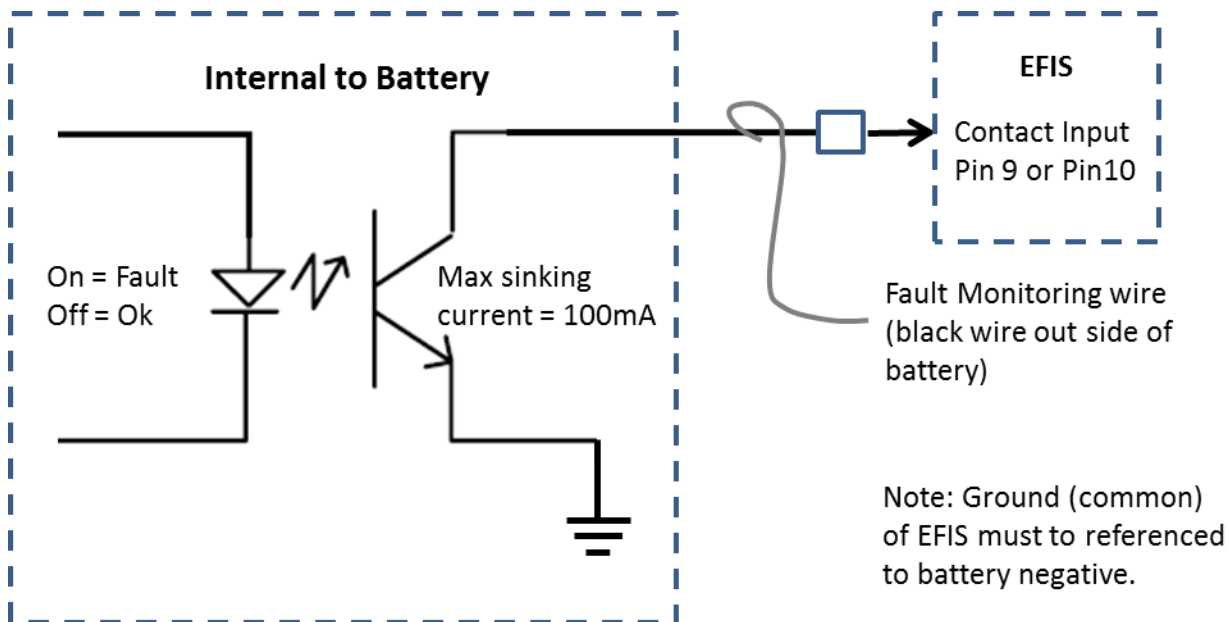


Installation of the battery in the cockpit is not recommended, unless the battery is properly vented over-board.

To test the internal LED and or external LED, touch the fault monitoring wire to battery negative.

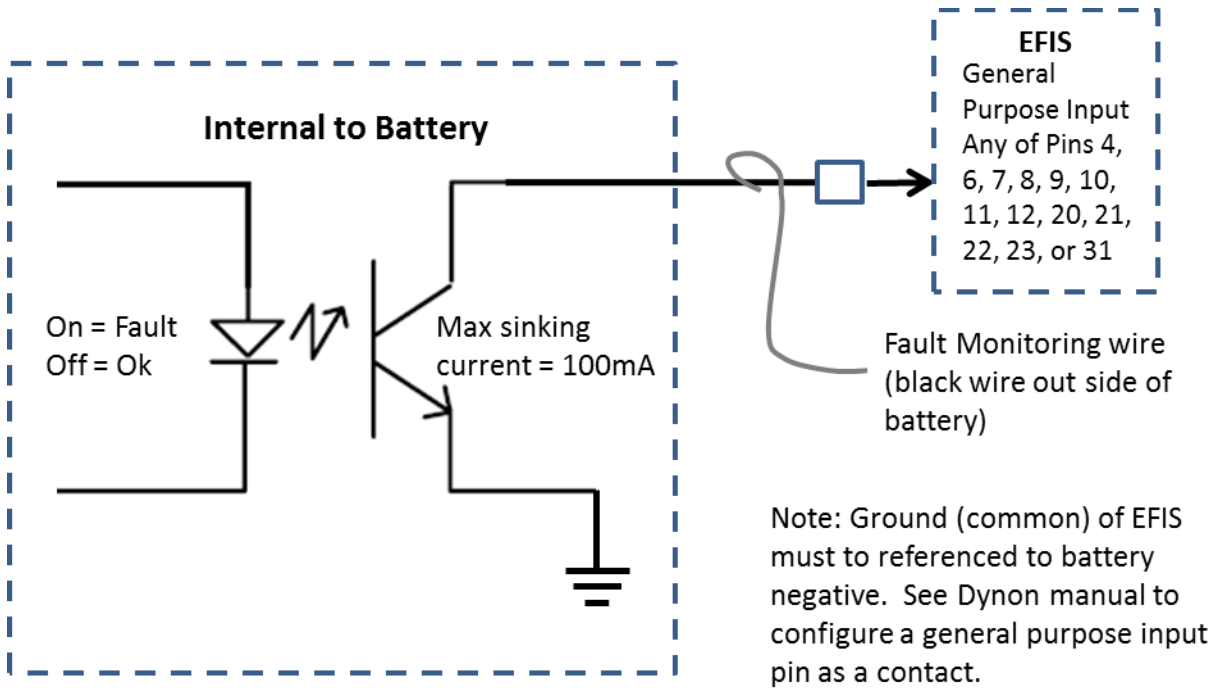
The discrete output for external fault monitoring is a single wire with 1/4" quick connect terminal. The 1/4" quick connect terminal is an insulated "female" type and should be compatible with most other manufacturers insulated male 1/4" quick connect terminals. The following two examples detail how to connect the fault monitoring output to an EFIS general purpose discrete input. The EFIS DC source negative must be referenced to the battery negative (this is the standard configuration).

#### Fault Monitoring Connection to Dynon Avionics EMS-D10, EMS-D120, Flight DEK-D180



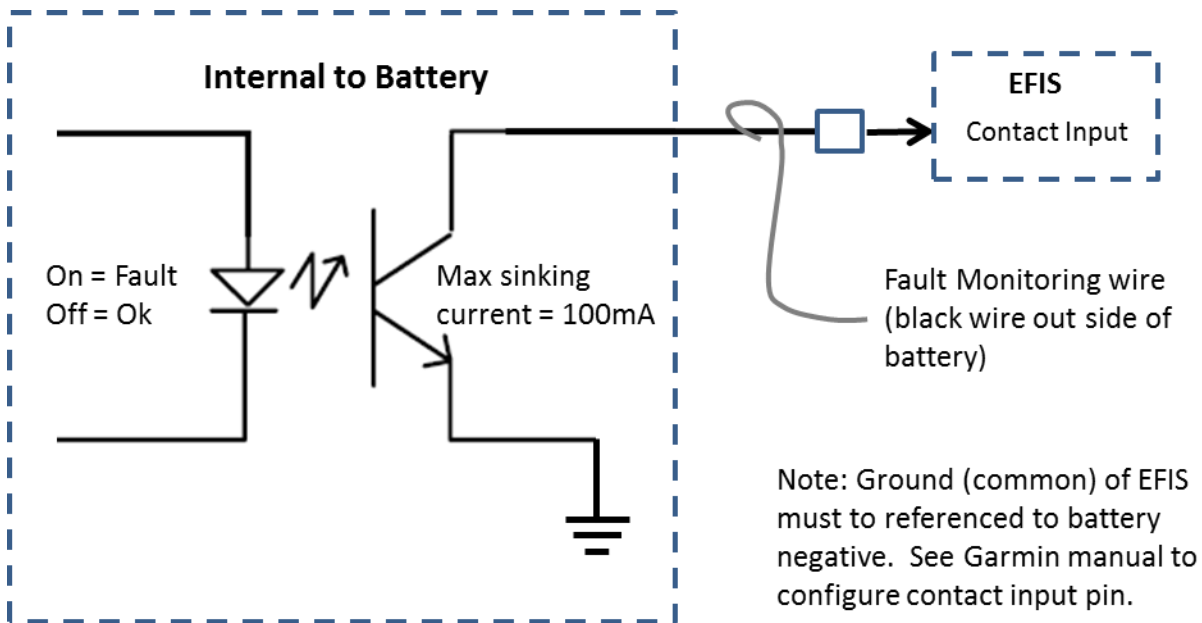


Fault Monitoring Connection to Dynon Avionics SkyView SV-EMS-220/221



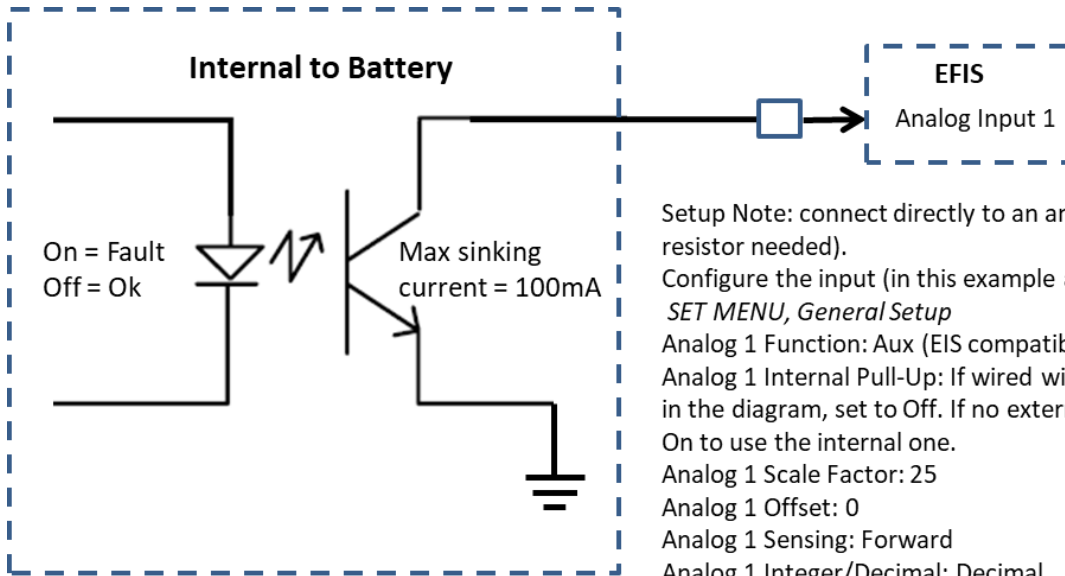
Configure the input as “active low”, “alarm” type. Note; when Dynon power is off the LED inside battery may be dimly lit (less than 120uA, too small to drain the battery).

Fault Monitoring Connection to Garmin EFIS



Configure the digital input (contact input) as “active low”, “user defined alert” type.

Fault Monitoring Connection to Grand Rapids Technologies EFIS

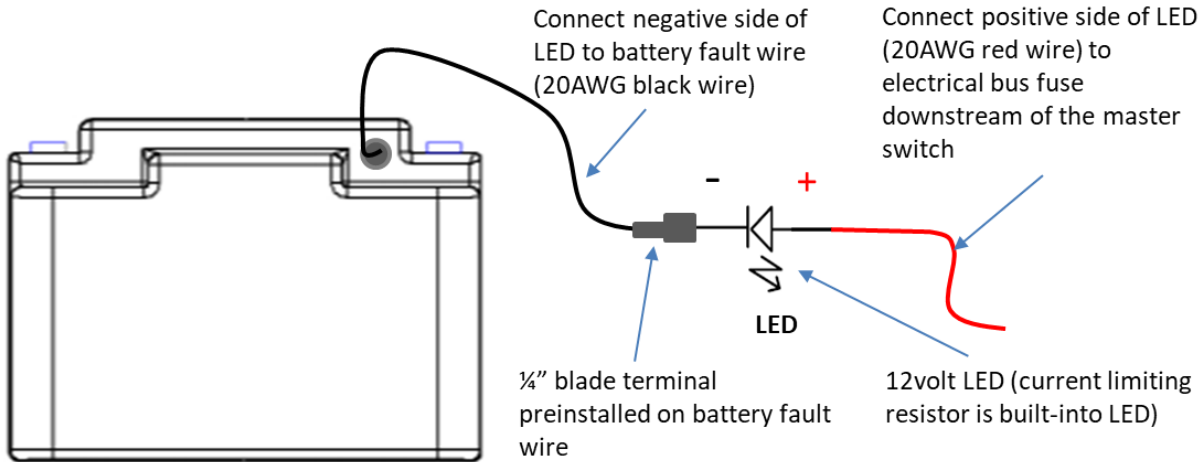


Setup Note: connect directly to an analog input (no external pull-up resistor needed).  
 Configure the input (in this example analog input 1) as an aux voltage:  
*SET MENU, General Setup*  
 Analog 1 Function: Aux (EIS compatible)  
 Analog 1 Internal Pull-Up: If wired with an external pull-up (12v) like in the diagram, set to Off. If no external pull-up(12v) is used, set to On to use the internal one.  
 Analog 1 Scale Factor: 25  
 Analog 1 Offset: 0  
 Analog 1 Sensing: Forward  
 Analog 1 Integer/Decimal: Decimal  
 Analog 1 Aux Function: Aux  
 Analog 1 Aux Name: ETX Flt  
 The input will read the pull-up voltage when there's no fault, and it will read around zero when there is a battery fault.

To create an alarm, set analog input 1 minimum limit to 1.0V in SET MENU, Engine Limits Min, Analog 1 (ETX Flt): 1.0

The following example details how to connect the fault monitoring output to a remote 12V LED. An incandescent bulb can NOT be used. A 12V LED has a current limiting resistor already built into the bulb, so no additional external resistor is required. The positive wire (anode, typically the red wire) of the LED should be connected to an electrical bus fuse/breaker (.25A to 3A ok) downstream of the master switch, and the negative of the LED (cathode, typically the black wire) should be connected to the fault monitor wire (wire out the side of the battery) of the battery. It is recommended to connect the positive of the LED to a fuse/breaker downstream of the master switch. 20-22AWG M22759/16 or similar wire is also recommended. **Note: for 24V replacement battery, use a 24V LED.**

### Fault Monitoring Connection to LED



The table below shows the recommended user alerts based on voltages when in flight. The low charge level is very different from a lead acid battery, for a lithium battery is completely drained at approximately 11.5V. **Note: for 24V replacement battery, the values in the table below are double.**

Voltage	User Alert
>15V	High voltage warning (red indicator)
<13.5V	Alternator off-line alert (yellow indicator)
<12.6V	Low charge level warning (red indicator)

### Vent Tubing Installation (ETX900-VNT)

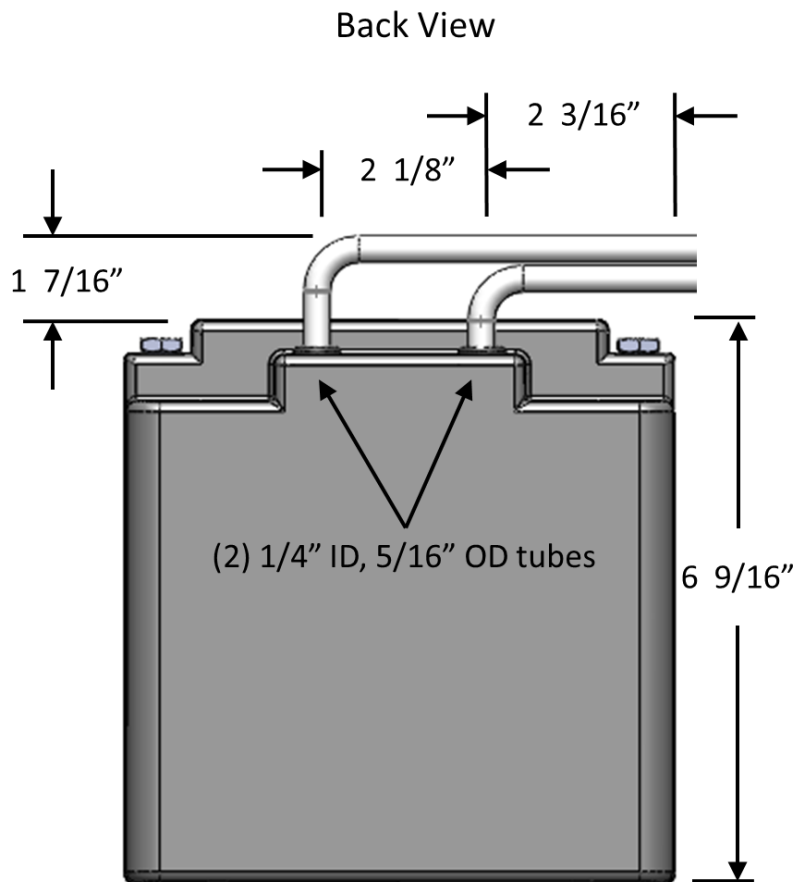
The ETX900-VNT includes a thermal run-away containment system making it fully compliant to the DO-347 specification. The containment system includes vent tubes designed to carry vapor or smoke to the exterior of the aircraft in the event of a thermal run-away condition. There is no emissions during normal operation. Both tubes exiting the battery are for outflow and both are required. Follow the below guidelines for properly installing the vent tubes.

- Route the vent tubes to the outside of the aircraft or a compartment sealed-off from the passenger cabin that is vented to the outside. Be sure emitted gases will not be directed to cabin air intakes.
- Secure the vent tubes within 12" of the battery and within 12" of the aircraft exit
- Be careful not to crush or restrict flow through the tubing.
- The minimum bend radius is 3"; tighter bends could cause the tubing to kink.
- Only EarthX approved or supplied tubing should be used. The tubing is chemical resistant and rated for 500°F (1/4" ID, 5/16" OD Teflon tubing).

## ETX SERIES LITHIUM BATTERIES

The supplied stainless steel elbows allow the vent tubes to be routed to the left or right side of the battery with minimal headroom requirements (1" above the battery height). The tube stubs on the battery are cut to different lengths so the tubing can be routed one on top of the other. To install the supplied elbows, it is helpful to heat the tubing to a couple hundred degrees F before pressing them into the tubes. Be sure the entire barbed part of the elbow is completely inserted into the tubing. Other barbed fittings may be used as long as they do not restrict flow.

The two  $\frac{1}{4}$ " tubes may also be combined into a single tube with a minimum ID of  $\frac{3}{8}$ ". Fittings must be brass or stainless if installed within 2 feet from the battery ( $\frac{1}{4}$ " tube length of 2 feet). For fittings more than 2 feet from the battery they may be polyethylene or nylon. See figure below for tubing connections to the battery and clearances.



## Aircraft Battery Maintenance

The ETX hundred series battery is a maintenance free battery. Charging is only required as needed (see charging section in this manual). No inspection or testing is recommended for 24 months after purchase, and thereafter the following is recommended annually:

- Visually inspect the battery for signs of damage; plastic case is warped or swollen.
- Test the fault indicator: to test, touch the fault wire output of the battery to ground – the internal battery LED should on as well as the cockpit indicator.
- Ensure the terminal screws are tight (properly torqued)

For electrically dependent aircraft the following annual battery capacity test is recommended: To test the battery capacity (should be done at near room temperature, 23DegC):

- a. Fully charge the battery with an appropriate charger
- b. Turn on all electrical loads for flight operation and start a timer.
- c. Measure and record the battery's discharge amps using a DC clamp-on current meter at the positive terminal of the battery.
- d. Using the measured amps in the previous step and the battery's nameplate rated capacity (in Ah), calculate the time to discharge the battery to 80%.

$$\text{Time to discharge 80\% (Hours)} = \frac{\text{Rated Capacity in Ah} * .8}{\text{Measured Discharge Amps}}$$

For Example (16 Ah Rated Capacity, 5 amp measured discharge rate)

$$\text{Time to discharge 80\%} = \frac{16 * .8}{5} = 2.56 \text{ hours}$$

- e. Terminate the test after the number of hours calculated in the previous step has expired or if the battery is over-discharged (shuts off discharge current). If the battery is still supplying power at the termination of the test, then the battery's capacity is greater than 80%. If the battery's capacity is greater than 80% of it rated or capable of supporting the aircraft's emergency load for the required amount of time, then the battery has passed the test.
- f. Fully charge the battery with an appropriate charger.

## Charging



**Failure to follow these instructions may result in damage to the battery!**

If at any time the vehicle will not start, or the battery seems low, charge it for the recommended time and charge rates shown below and disconnect the charger when charging is complete. The recommended charge rates (from plug-in chargers) are detailed in the specification section above. The standard charge voltage from the vehicle is the peak output voltage (see specification section above). The maximum charge rate in the specification section is related to the vehicle charging system. Never exceed the maximum charging amps for your battery.

**ETX SERIES LITHIUM BATTERIES**

Lithium batteries have a low resistance to charge current, which is why charge up so quickly. This is very different than a lead acid battery, which are naturally slow to charge. As such, users are often surprised by the very noticeable increase in charge current from their vehicle alternator. This is normal and expected and generally not a concern. The only concern is if the charge current is exceeding the maximum charge rating of the battery. For example, a customer with a 60-amp alternator switches to our ETX680 (rated for a maximum of 60 charge amps) from a similar sized lead acid battery. Previously the peak charge amps with the lead acid battery was 25 amps. After installing the ETX680, the peak charge amps jumped to 54 amps. This is normal and as expected and within the charge current rating of the ETX680.

This table shows typical charging times for the different ETX series batteries:

Model	Charging Amps	Charging Time
ETZ5G	1 amp	3 hour
	2 amp	1.45 hour
	3 amp	1 hour
ETX12	1 amp	4 hour
	3 amp	1.5 hour
	5 amp	45 min.
ETX18/ETZ14C	1 amp	6 hour
	5 amp	1.2 hour
	8 amp	45 min.
ETX24	1 amp	8 hour
	5 amp	1.5 hour
	10 amp	45 min.
ETX36/ ETX680 ETX680C	1 amp	12 hour
	5 amp	2.5 hour
	15 amp	45 min.
ETX900/ETX900- VNT	1 amp	16 hour
	5 amp	3 hour
	20 amp	45 min.
ETX48/ ETX1200	1 amp	24 hour
	5 amp	5 hour
	30 amp	45 min.
ETX1600	1 amp	30 hour
	5 amp	7 hour
	30 amp	1 hour
ETX900-24 <b>(27.8 -29.2V charger)</b>	1 amp	16 hour
	5 amp	3 hour
	20 amp	45 min.

## ETX SERIES LITHIUM BATTERIES

Lithium batteries have a very low self-discharge rate which means the battery, if disconnected from your vehicle, could “hold its charge” for a year. That said, modern vehicles like touring style motorcycles use power from the battery even with the key in the off position. In those cases, we recommend disconnecting a battery cable from the battery during long term storage (greater than 2 months) or using a charger.

The ETX Lithium battery is compatible with most “modern” lead-acid battery chargers or 4cell LiFePO4 battery chargers (8 cell for 24V replacement battery). By “modern” we mean a charger that automatically turns off when the battery is fully charged, a charger with a micro-processor, or a charger with multiple mode charging. The “full charge” voltage for the ETX Lithium battery is 13.9V or higher. Some lead-acid battery trickle charger’s maintenance mode voltage can be below 13.3V, which is too low for a lithium battery. For example, the Battery Tender JR has a maintenance mode voltage of 13.3V which is compatible, whereas the original Battery Tender has a maintenance mode voltage of 13.2V which is too low for a lithium battery.

If the battery has been over-discharged and “disconnected”, the voltage at the battery terminal should be near zero volts if the battery still has a load on it. If the battery is disconnected from the load it will automatically reconnect and the terminal voltage will be between 9-12V (remove the load by removing the positive or negative cables from the battery). In this case, simply connect the battery to a charger to restore charge (charge with 1-5 amps for 20-30 minutes), and then re-check the voltage. If the voltage is 12.8V or greater, the battery should be ok and can be fully charged. If the battery that displays zero volts, check our website for a list of compatible chargers, and specifically chargers that will work for recharging an “over-discharged” battery (referred to as a BMS reset) for which the BMS’s over-discharge protection has activated and won’t reset automatically when the load is removed. **Note, the value above are double for a 24V replacement battery.**

Mixing of Batteries – Mixing of batteries of different part numbers or manufacturers, or age is not an acceptable practice. Batteries of different age or capacities in series connection is NOT allowed for it will result in battery(ies) being over-discharged or overcharge.



**Never charge a faulty battery (a battery that will not accept a charge or hold a charge).**



**Never use the de-sulfate setting on your charger.** Be sure the charger’s output voltage level does not exceed 15V. If the charger does not display the voltage reading, then use a voltmeter to check the voltage while charging.



**If the battery gets hot while charging, discontinue charging and use.**



**Do not charge battery in temperatures above 140 degrees F (60C), or in direct sunlight.**

## ETX SERIES LITHIUM BATTERIES



When charging a battery, place it on a non-flammable surface, and remove any flammable items nearby.



For maximum battery and vehicle starting system life, do not crank an engine for more than 10 seconds within any 1 minute period.

### Storage

If the vehicle is to be put in storage for an extended period of time, disconnect the battery cable to eliminate drain from the vehicle's electrical system. A fully charged battery can be put in storage for over a year without charging.

Our batteries can be stored at temperatures between  $-40^{\circ}\text{C}$  to  $+70^{\circ}\text{C}$ . Our batteries have no liquid inside and will not freeze.



Do not incinerate or expose to open flames!



## **Warranty**

EarthX, Inc. (Manufacturer) warrants its ETX lithium batteries (hereafter referred to as Battery or Batteries) to be free of defects in material and workmanship for a period of two years. EarthX, Inc. warrants the ETZ lithium batteries and the EarthX Jump Pack to be free of defects in material and workmanship for a period of 1 year. A dealership is not authorized to issue a replacement battery without prior authorization from EarthX, Inc.

The applicable Warranty period begins from the date of purchase with original receipt, or, if no receipt is available, from the manufacturing date on the battery. The warranty is nontransferable and for the original purchaser. Batteries determined to meet the conditions of this warranty will be replaced free of charge one time. Batteries for warranty replacement consideration are to be returned to: EarthX, Inc., P.O. Box 767, Windsor, CO 80550 after receiving an RMA from EarthX. EarthX's acceptance of any items shipped to EarthX for warranty replacement shall not be deemed an admission that the item(s) are defective. For international warranty returns, customer will pay the shipping expenses. Batteries replaced under the warranty provisions will carry only the remainder of the original applicable Warranty period.

See our website at [www.earthxbatteries.com](http://www.earthxbatteries.com) for details.

## **Troubleshooting**

The ETX/ETZ Lithium battery is an extremely reliable battery with a longer useful life than comparable lead-acid batteries.

Despite the high reliability, you may encounter situations where the battery does not operate as expected. Go to [www.earthxbatteries.com](http://www.earthxbatteries.com) and review the FAQ section for the most up to date comprehensive troubleshooting information.

## **Regulations**

The ETX Lithium battery, including the ETX Hundred Series, are designed and tested to the following safety regulations as outlined in:

- FAA RTCA DO-347 (excluding the Thermal Runaway Containment Test), RTCA DO-160, DO-254
- IEC 62133-2
- CE — EU consumer safety, health and environmental regulations.
- UN 38.3

Only the ETX900-Vent and the ETX900-PMA battery has the thermal containment requirements for certified battery approval. These standards set the level of safety required for lithium batteries. The standard addresses normal and abnormal operating conditions.

Lithium batteries have special requirements for transportation (shipping) per UN 38.3 and Title (part) 49 of the Code of Federal Regulations or CFR's. Title 49 CFR Sections 100-185 of the U.S. Hazardous Materials Regulations (HMR).

## **Terminology**

The following table describes the terminology used in this document.

Ah	Amp-Hour is a unit of measure of charge that can be stored in a battery.
BMS	The Battery Management System refers to the collection of electronics responsible for monitoring and controlling the cell charge level, providing over charge protection and over discharge protection
Cell	A single encased electrochemical unit (one positive and one negative electrode) which exhibits a voltage differential across two terminals.
OEM	Original Equipment Manufacturer
IEC	International Electro-Technical Commission on safety standards.