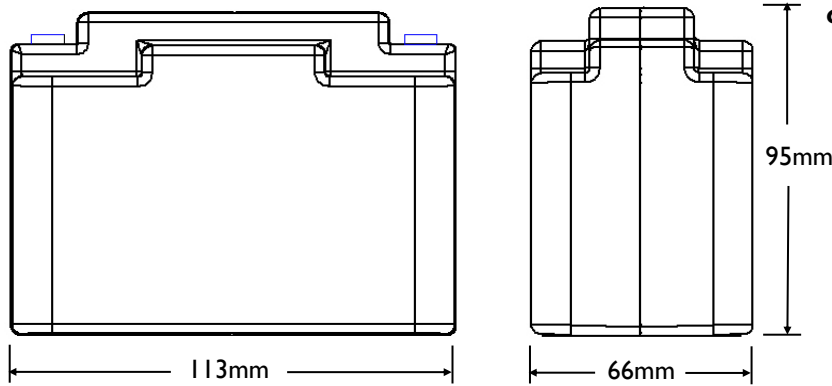


DIMENSIONS

Brass terminal: 12mm wide, 3mm high

Screws: M6 (6mm dia., 10mm length)



Lightweight Back Up power LiFePO4 battery with exclusive over discharge protection, over charge protection, short circuit protection, built in cell balancing, local and remote battery fault indicator, plus built in current limiting.



SPECIFICATIONS

Specifications

Voltage	13.2 V
Ah (1 hour discharge rate)	4 (1C rate)
Self-Discharge Rate	< 5%/month @ 25°C
Standard Charge Voltage	13.9 - 14.6 V
Recommended Charger/Maintainer Amps	.8 - 5A
Life (Charge cycles)	4000 cycles @ 1C discharge rate, 25°C (20% depth of discharge) 2000 cycles @ 10C discharge rate, 25°C (80% depth of discharge)
Life (Years)	Up to 6 Years
Weight	1.3 lb. (.6Kg)
Dimensions	ETX104 4.5in x 2.6in x 3.7in (113mmX66mmX95mm)
Environmental Rating (resistance to water intrusion)	IP 66 (wash down with a high-pressure washer)
Operating Temperature	-30 °C to +60 °C
Storage Temperature	-40 °C to +70 °C
Maximum Altitude	50,000 Ft

Discharge Characteristics

Discharge Ah (25 Deg C)

