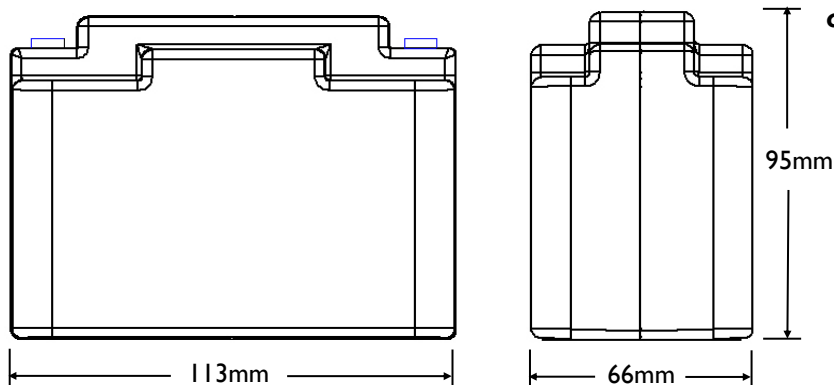


▶ **DIMENSIONS**

Brass terminal: 12mm wide, 3mm high

Screws: M6 (6mm dia., 10mm length)



**Lightweight Back Up power LiFePO4 battery with exclusive over discharge protection, over charge protection, short circuit protection, built in cell balancing, local and remote battery fault indicator, plus built in current limiting .**



▶ **SPECIFICATIONS**

**Specifications**

Voltage	13.2V
Capacity	4Ah @ 1C Rate (See chart)
Capacity vs Temperature	25 °C = 100% 0°C = 97% -30°C = 95%
Self-Discharge Rate	< 3% / month @ 25 °C
Absolute Max Discharge Amps	10A (built-in auto resetting fuse)
Continuous Discharge Amps <20 °C	8A (built-in auto resetting fuse)
Continuous Discharge Amps >20 °C	6A (built-in auto resetting fuse)
Standard Charge Voltage	13.9 - 14.6 V
Maximum Charge Voltage	15V
Recommended Charge Amps	.8 - 5A
Max Charge Amps	10A (built-in current limiting)
Life (Charge cycles, 80% depth of discharge)	2000 cycles @ 1C discharge rate, 25°C
Life (Years)	Up to 6 Years
Weight	1.3 lb. (.6Kg)
Dimensions	4.5 in (L) x 2.6 in (W) x 3.7 in (H) 113mm(L) x 66mm (W) x 95mm (H)
Environmental Rating (resistance to water intrusion)	IP 66 (wash down with a high pressure washer)
Operating Temperature	-30 °C to +60 °C
Storage Temperature	-40 °C to +70 °C

**Discharge Characteristics**

Discharge Ah (25 Deg C)

