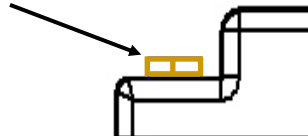




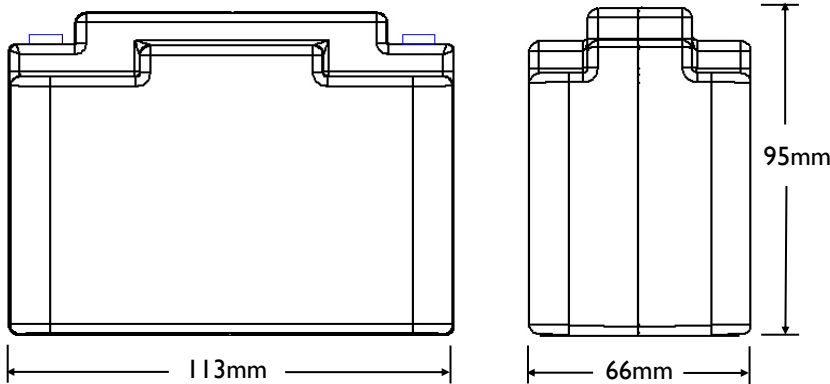
DIMENSIONS

Brass terminal: 12mm wide, 3mm high

Screws: M6 (6mm dia., 10mm length)



**Lightweight LiFePO4 battery with exclusive over discharge protection, over charge protection, short circuit protection, excessive cranking protection and built in cell balancing technology.**



SPECIFICATIONS

## Specifications

Voltage	13.2V
Capacity	4Ah @ 1C Rate (See chart)
Capacity vs Temperature	25 °C = 100% 0°C = 92% -30°C = 80%
Self-Discharge Rate	< 3% / month @ 25 °C
Pulse Crank Amps (PCA)	220A (3 sec @ 25 °C, voltage >9V)
Cold Crank Amps (CCA)	135A (modified SAE test, 3 sec @ 0°F, volts >7.2V)
Continuous Discharge Amps	40A
Standard Charge Voltage	13.9 - 14.6 V
Maximum Charge Voltage	15V
Recommended Charge Amps	.8 - 5A
Max Charge Amps	20A (from vehicle charging system)
Life (Charge cycles, 80% depth of discharge)	4000 cycles @ 1C discharge rate, 25°C 2000 cycles @ 10C discharge rate, 25°C
Life (Years)	Up to 6 Years
Weight	1.3 lb. (.6Kg)
Dimensions	4.5 in (L) x 2.6 in (W) x 3.7 in (H) 113mm(L) x 66mm (W) x 95mm (H)
Environmental Rating (resistance to water intrusion)	IP 66 (wash down with a high pressure washer)
Operating Temperature	-30 °C to +60 °C
Storage Temperature	-40 °C to +70 °C

## Discharge Characteristics

Discharge Ah (25 Deg C)

