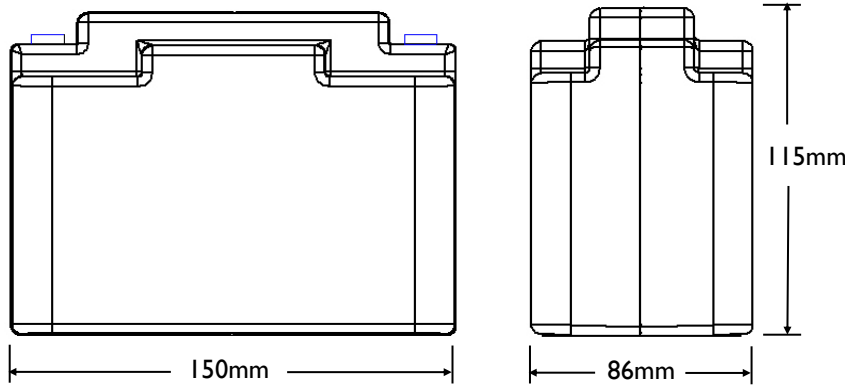


DIMENSIONS

Brass terminal: 12mm wide, 3mm high

Screws: M6 (6mm dia., 10mm length)



Lightweight LiFePO4 battery with exclusive over discharge protection, over charge protection, short circuit protection, excessive cranking protection and built in cell balancing technology.



SPECIFICATIONS

Specifications

Voltage	13.2 V
Ah (Lead-acid equivalent)	24
Ah (1 hour discharge rate)	7.8 (1C rate)
Pulse Crank Amps (PCA)	420A (3 sec @ 20 °C, voltage >7.2V)
Cold Crank Amps (CCA)	270A (modified SAE test, 3 sec@ 0°F, voltage >7.2V)
Self-Discharge Rate	< 4%/month @ 25°C
Max Continuous Discharge Amps	80A
Standard Charge Voltage	13.9 - 14.6 V
Recommended Charger/Maintainer Amps	.8 - 10A
Max Charge Amps	40A (from vehicle charging system)
Life (Charge cycles)	4000 cycles @ 1C discharge rate, 25°C (20% depth of discharge) 2000 cycles @ 10C discharge rate, 25°C (80% depth of discharge)
Life (Years)	Up to 6 Years
Weight	2.6 lb. (1.2Kg)
Dimensions	ETX24C 5.9in x 3.4in x 4.5in (150mmX86mmX115mm)
Environmental Rating (resistance to water intrusion)	IP 66 (wash down with a high-pressure washer)
Operating Temperature	-30 °C to +60 °C

Discharge Characteristics

Discharge Ah (25DegC)

