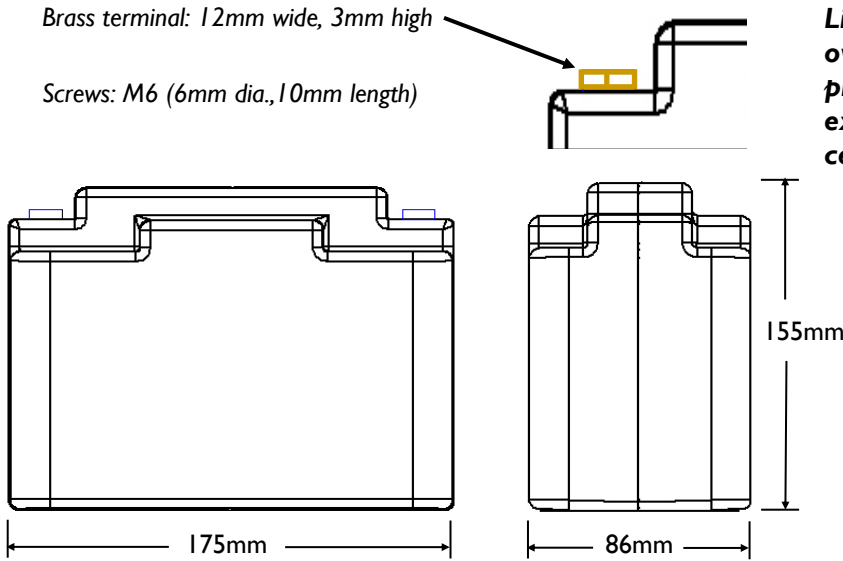


DIMENSIONS



**Lightweight LiFePO4 battery with exclusive over discharge protection, over charge protection, short circuit protection, excessive cranking protection and built in cell balancing technology.**

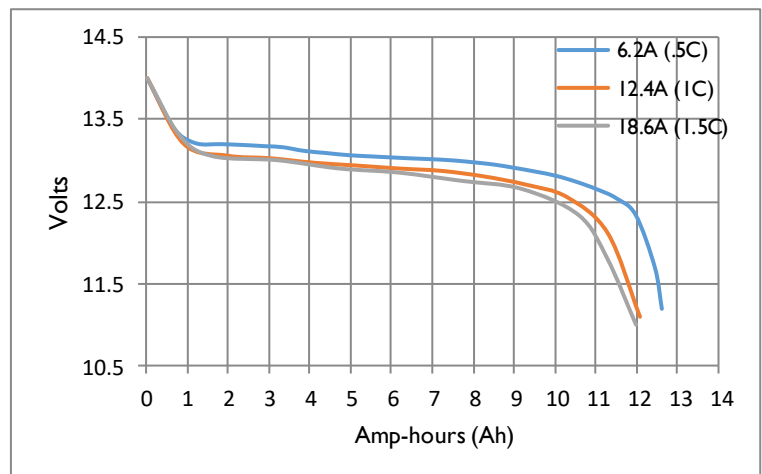


SPECIFICATIONS

Specifications	
Voltage	13.2V
Capacity	12.4Ah @ 1C Rate (See charts)
Capacity vs Temperature	25 °C = 100% 0°C = 92% -30°C = 80%
Self-Discharge Rate	< 3% / month @ 25 °C
Pulse Crank Amps (PCA)	680A (3 sec @ 25 °C, voltage >9V)
Cold Crank Amps (CCA)	320A (modified SAE test, 3 sec @ 0°F, volts >7.2V)
Continuous Discharge Amps	100A
Standard Charge Voltage	13.9 - 14.6 V
Recommended Charge Amps	.8 - 15A
Max Charge Amps	60A (from vehicle charging system)
Life (Charge cycles, 80% depth of discharge)	4000 cycles @ 1C discharge rate, 25°C 2000 cycles @ 10C discharge rate, 25°C
Life (Years)	Up to 6 Years
Weight	3.9lb. (1.8Kg)
Dimensions	6.9 in (L) x 3.4 in (W) x 6.1 in (H) 175mm(L) x 86mm (W) x 155mm (H)
Environmental Rating (resistance to water intrusion)	IP 66 (wash down with a high pressure washer)
Operating Temperature	-30 °C to +60 °C
Storage Temperature	-40 °C to +70 °C

## Discharge Characteristics

Discharge Ah (multiple discharge rates)



Discharge Minutes (multiple discharge rates)

