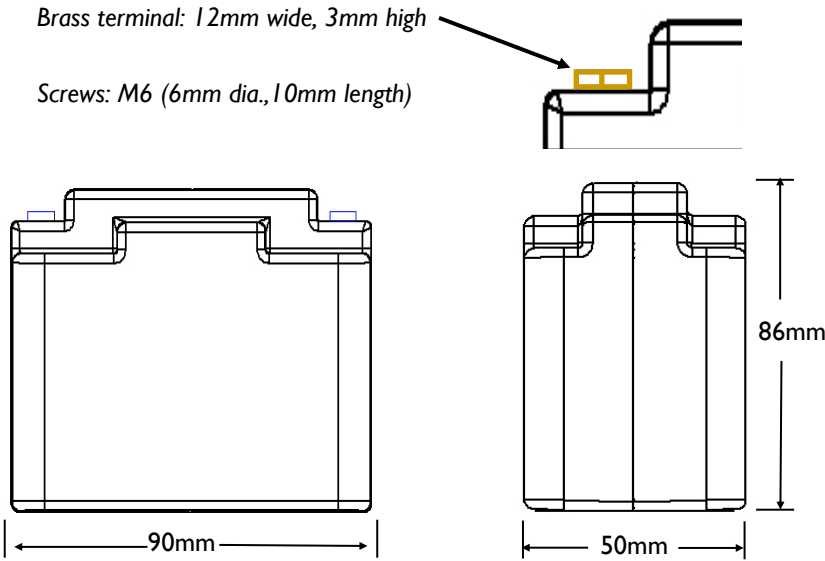




ETZ-Series Lithium Batteries

ETZ5G

▶ DIMENSIONS



New exclusively engineered and designed LiFePo4 cells allow the most cranking power possible!

Features include built in cell balancing technology, over charge protection and short circuit protection.



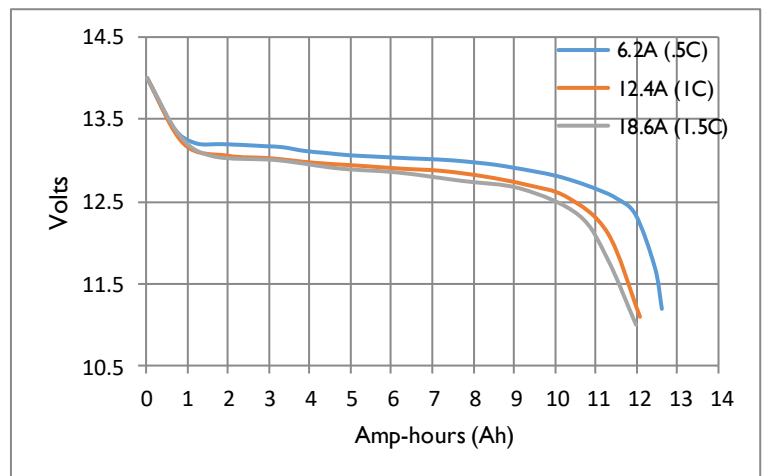
▶ SPECIFICATIONS

Specifications

Voltage	13.2V
Capacity	3.4Ah @ 1C Rate (See charts)
Capacity vs Temperature	25 °C = 100% 0°C = 92% -30°C = 80%
Self-Discharge Rate	< 3% / month @ 25 °C
Pulse Crank Amps (PCA)	240A (3 sec @ 25 °C, voltage >9V)
Cold Crank Amps (CCA)	140A (modified SAE test, 3 sec @ 0°F, volts >7.2V)
Continuous Discharge Amps	30A
Standard Charge Voltage	13.9 - 14.6 V
Maximum Charge Voltage	15V
Recommended Charge Amps	.8 - 5A
Max Charge Amps	15A (from vehicle charging system)
Life (Charge cycles, 80% depth of discharge)	4000 cycles @ 1C discharge rate, 25°C 2000 cycles @ 10C discharge rate, 25°C
Life (Years)	Up to 6 Years
Weight	1.15 lb. (.53Kg)
Dimensions	3.54 in (L) x 1.96 in (W) x 3.38 in (H) 90mm(L) x 50mm (W) x 86mm (H)
Environmental Rating (resistance to water intrusion)	IP 66 (wash down with a high pressure washer)
Operating Temperature	-30 °C to +60 °C
Storage Temperature	-40 °C to +70 °C

Discharge Characteristics

Discharge Ah (multiple discharge rates)



Discharge Minutes (multiple discharge rates)

