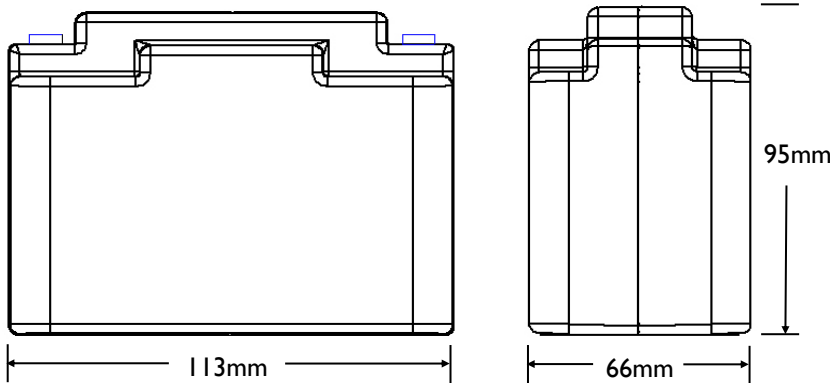
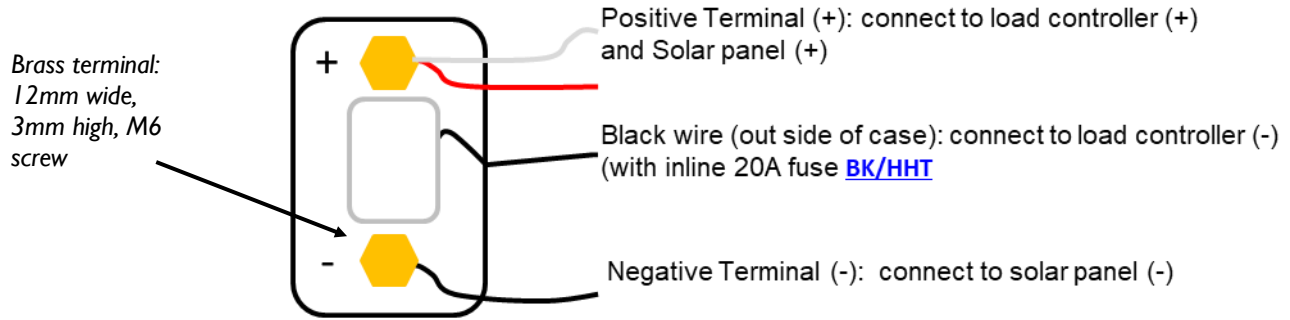


DIMENSIONS



**Lightweight LiFePO4 battery with over discharge protection, over charge protection, short circuit protection, excessive cranking protection and built in cell balancing technology. Specifically designed with three connections; third connection is negative lead to equipment load. Solar panel output is connected to + and -battery terminals.**

SPECIFICATIONS

## Specifications

Voltage	13.2V
Capacity	4Ah @ 1C Rate (See chart)
Capacity vs Temperature	25 °C = 100% 0°C = 96% -30°C = 88%
Self-Discharge Rate	< 5% / month @ 25 °C
Max Continuous Discharge Amps	40A
Standard Charge Voltage	13.9 - 14.6 V
Maximum Charge Voltage	15V
Recommended Charge Amps	.8 - 5A
Max Charge Amps	10A
Life (Charge cycles, 80% depth of discharge)	2000 cycles @10C discharge rate, 25°C
Life (Years)	4-6 Years
Weight	1.3 lb. (.6Kg)
Dimensions	4.5 in (L) x 2.6 in (W) x 3.7 in (H) 113mm(L) x 66mm (W) x 95mm (H)
Environmental Rating (resistance to water intrusion)	IP 66 (wash down with a high pressure washer)
Operating Temperature	-30 °C to +60 °C
Storage Temperature	-40 °C to +70 °C

## Discharge Characteristics

Discharge Ah (25 Deg C)

