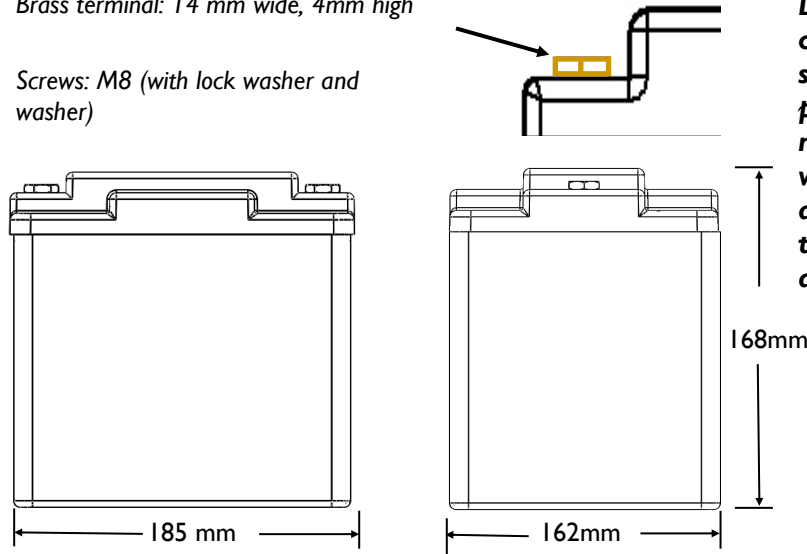


▲ DIMENSIONS

Brass terminal: 14 mm wide, 4mm high

Screws: M8 (with lock washer and washer)



Lightweight LiFePO4 battery with over discharge protection, over charge protection, short circuit protection, excessive cranking protection and built in cell balancing technology. All of these features are redundant with an LED battery fault light indicator and RS-232 communications. Designed for turbine or piston engine starting and storage.

▲ SPECIFICATIONS

Specifications	
Voltage	26.4 V
Capacity	19.4Ah (See charts)
Capacity vs Temperature	25 °C = 100% 0°C = 97% -30°C = 95% (18.4 at this temperature)
Self-Discharge Rate	< 2% / month @ 25 °C
Peak Power (Ipp), 23/-18 °C	1200/650A
Rated Power (Ipr), 23/-18 °C	800/400A
Max Cont. Discharge Amps	300A
Discharge Amps (30min)	40A
Standard Charge Voltage	27.6 - 28.8V
Recommended Charge Amps	5 - 20A
Max Charge Amps	300A (from charging system)
Life (Charge cycles)	2000 cycles @10C, 25°C (80% DOD)
Life (not life limited)	Up to 6 Years
Weight	12.4lb. (5.6Kg)
Dimensions	7.3 in (L) x 6.4 in (W) x 6.6 in (H); 185mm(L) x 162mm (W) x 168mm (H)
Environmental Rating (water resistance)	IP 66 (wash down with a high pressure washer)
Operating Temperature	-40°C to +60°C (+65°C for 30 minutes)
Storage Temperature	-40°C to +70°C
Ground Survival Temperature	+85°C
Maximum Altitude	50,000Ft
Shelf Life	1 year (without charging)

Discharge Characteristics

Discharge Ah (multiple discharge rates)

