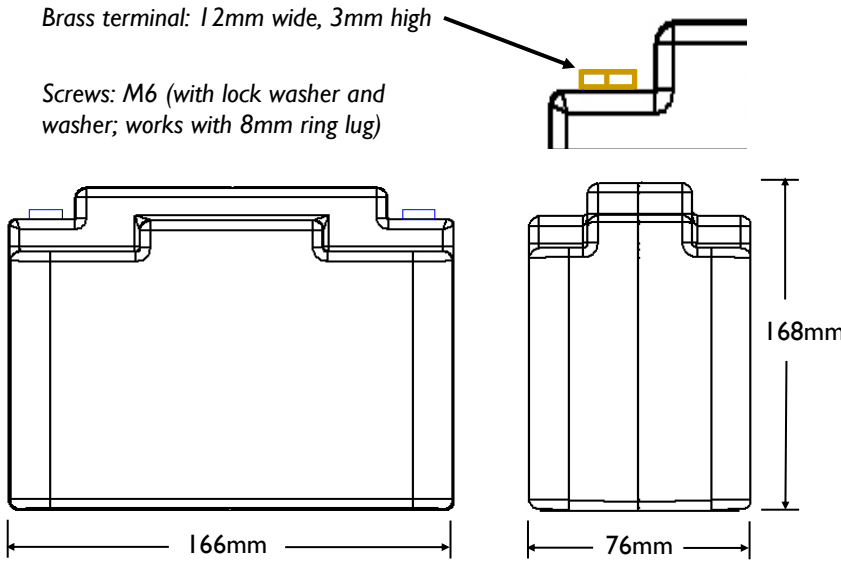


ETX Series Lithium Batteries ETX400-24-VNT

ETX400-24-VNT has a *thermal runaway containment and venting system*. It is **5.4 pounds**. It meets all of the DO-311A lithium battery in aircraft testing requirements, but the VNT model is NOT FAA certified.

DIMENSIONS



SPECIFICATIONS

Specifications	
Voltage	26.4V
Capacity(1C, 1hr at 23 °C)	7.8Ah (See charts)
Capacity vs Temperature	25 °C = 100% 0°C = 97% -30°C = 95% (7.8Ah at this temperature)
Self-Discharge Rate	< 5% / month @ 25 °C
Peak Power (I _{pp}), 23/-18 °C	400/290A
Rated Power (I _{pr}), 23/-18 °C	240/170A
Cont. Discharge Amps	40A
Standard Charge Voltage	27.6-28.8V
Max Charge Amps	40A
Life (not life limited)	6 Years
Weight	5.4 lb. (2.4Kg)
Dimensions	6.5 in (L) x 3.0 in (W) x 6.6 in (H); 166mm(L) x 76mm (W) x 168mm (H)
Environmental Rating (resistance to water intrusion)	IP 66 (wash down with a high pressure washer)
Operating Temperature	-30 °C to +60 °C (+65° C for 30 minutes)
Storage Temperature	-40°C to +70°C
Ground Survival Temp	-45 °C to +85°C
Maximum Altitude	50,000Ft
Shelf Life	1year (without charging)

Discharge Characteristics

Discharge Ah (multiple discharge rates)

